

Instruction Sheet

Kit Number: 79213200

PRO TURN 200/400 STRIPER KIT

WARNING: FAILURE TO FOLLOW INSTRUCTIONS could result in personal injury and/or damage to unit.
Read, understand, and follow all safety practices in Owner/Operator Manual before beginning.

Package Contents

Check the contents of your kit for the parts listed below (figure 1):

Item	Description	Qty	Ariens P/N
1	13/32 x 1-3/8" Flat Washer	4	06442400
2	Striper Bar	5	09286651
3	3/8 x 1" Pan Head Torx Screw	10	07000023
4	Rubber Striper Skirt	1	04520100

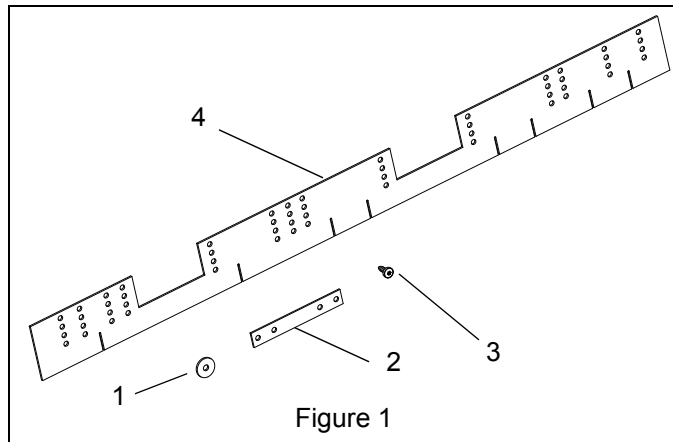


Figure 1

INSTALLATION

WARNING: Make sure jack stands are secure and can support the weight of the unit.

1. Raise and support the rear of the unit on jack stands.
2. Remove rear wheels to provide easy access to the rear of the deck.
3. Using cut lines printed on glossy side of skirt, trim rubber striper skirt (item 4) to fit deck size. See figure 2.

NOTE: Installation on 72-in. deck does not require trimming.

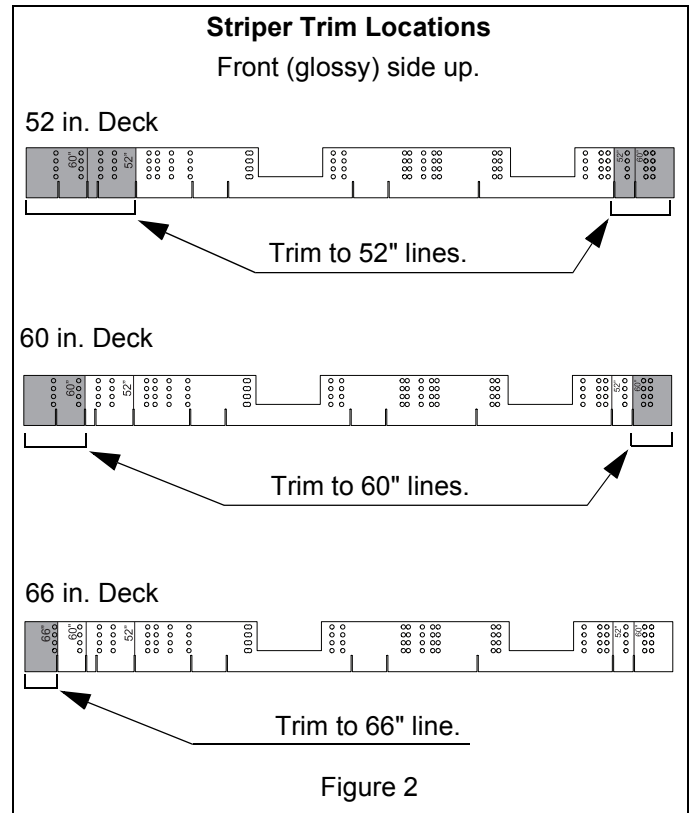


Figure 2

NOTE: The glossy surface of the rubber striper skirt mounts against the deck.

4. Position the rubber striper skirt (item 4) with the glossy rubber side against the mower deck.
5. Mount rubber striper skirt (item 4) to rear of mower deck with 13/32 x 1-3/8" flat washers (item 1), striper bars (item 2) and 3/8 x 1" pan head torx screws (item 3).

Refer to the figures on the back of this sheet to determine hardware required and mounting location for each deck:

- 52-inch mower decks – figure 3
 - 60-inch mower decks – figure 4
 - 66-inch mower decks – figure 5
 - 72-inch mower decks – figure 6
6. Install rear wheels and lower unit to the ground.

OPERATION

Mount the rubber striper skirt so it drags along the turf at the desired height based on the cutting height. The more the rubber striper skirt drags, the more pronounced the striping.

52-inch Mower Decks

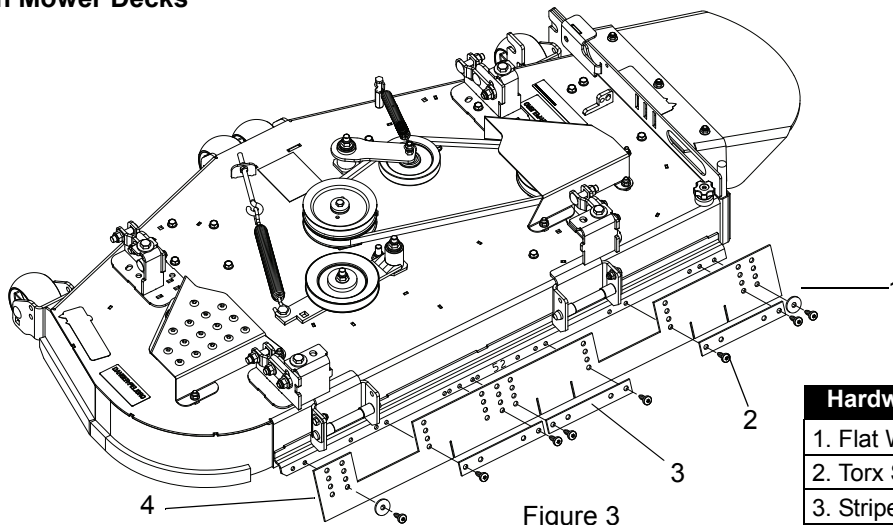


Figure 3

Hardware Requirements

1. Flat Washers	2
2. Torx Screws	8
3. Striper Bars	3

60-inch Mower Decks

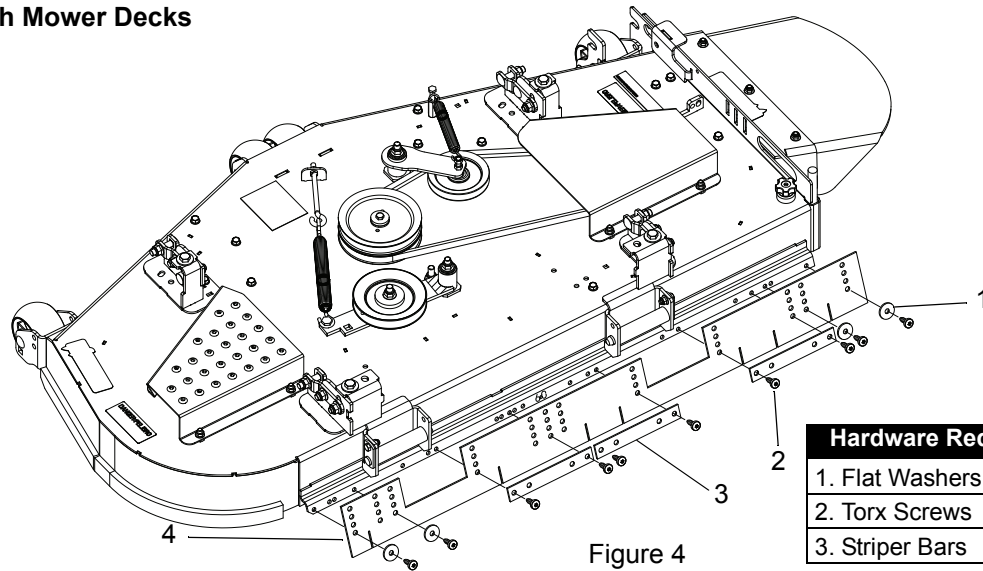


Figure 4

Hardware Requirements

1. Flat Washers	4
2. Torx Screws	10
3. Striper Bars	3

66-inch Mower Decks

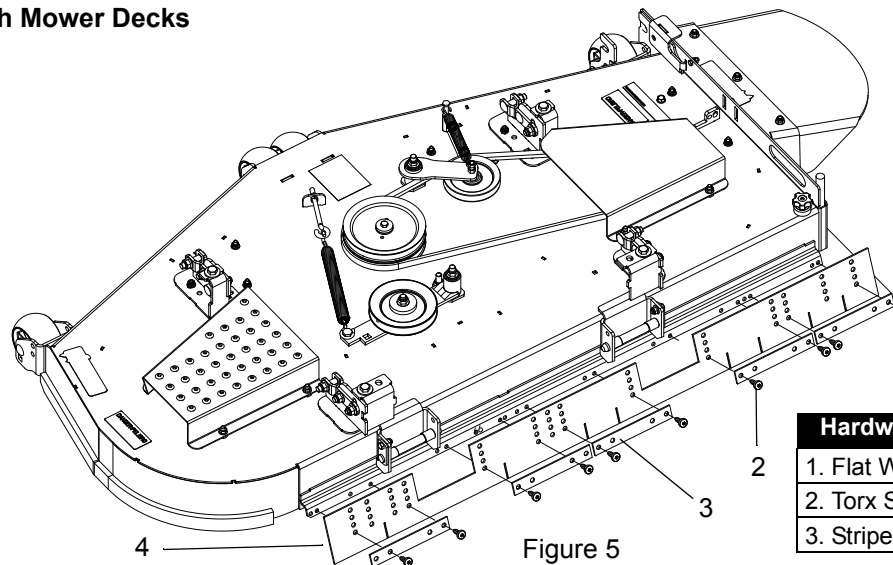
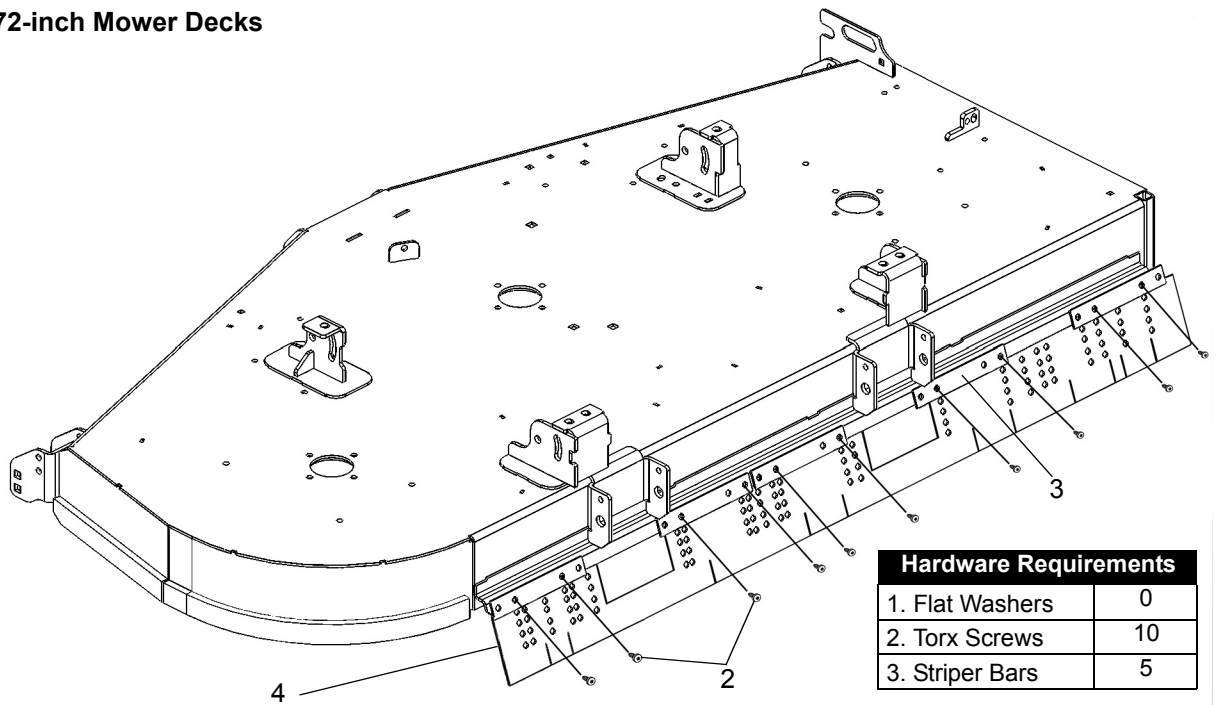


Figure 5

Hardware Requirements

1. Flat Washers	0
2. Torx Screws	10
3. Striper Bars	5

72-inch Mower Decks



Hardware Requirements	
1. Flat Washers	0
2. Torx Screws	10
3. Striper Bars	5

Figure 6