

# Instruction Sheet

## Kit Number: 79700400

### EV LED LIGHT KIT

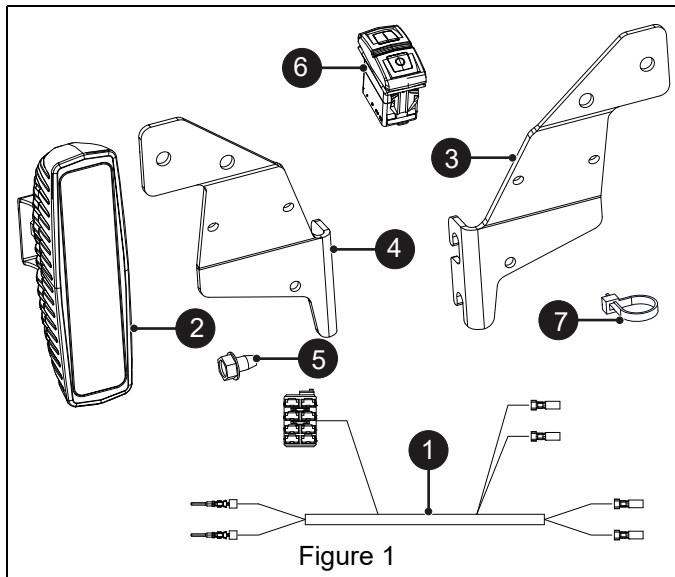
**WARNING: FAILURE TO FOLLOW INSTRUCTIONS** could result in personal injury and/or damage to unit. Read, understand, and follow all safety practices in Operator's Manual before beginning.

**IMPORTANT:** All references to the left, right, front or rear are given from the perspective of the operator in the operator's position, facing the direction of forward travel.

### Package Contents

Check the contents of your kit for the parts listed below Also see Figure 1.

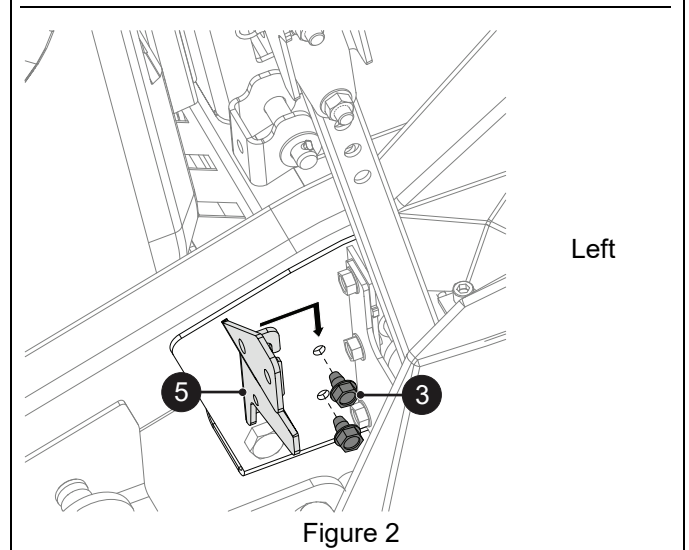
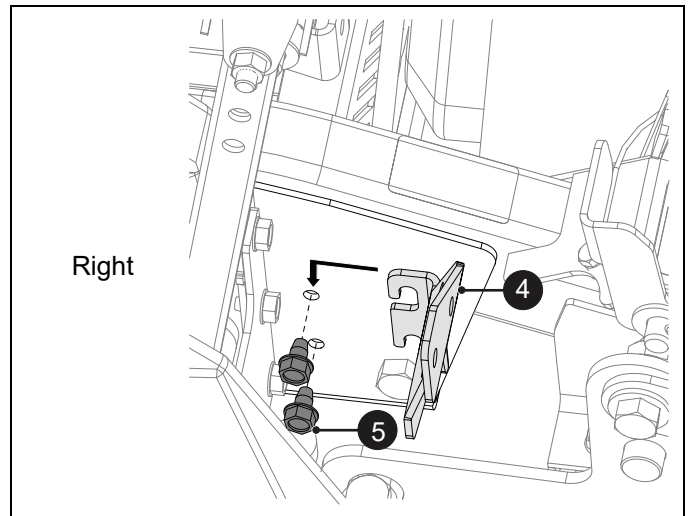
Item	Description	Qty	AriensCo P/N
1	Headlight Wire Harness	1	09193900
2	LED Headlight with Bracket	2	04821100
3	Left Headlight Mounting Bracket	1	09370451
4	Right Headlight Mounting Bracket	1	09370351
5	5/16"-18 x 1/2" Hex Washer Head Thread Rolling Tapping Screw	4	07400124
6	Sealed Light Switch	1	09197000
7	Cable Tie	3	07517300



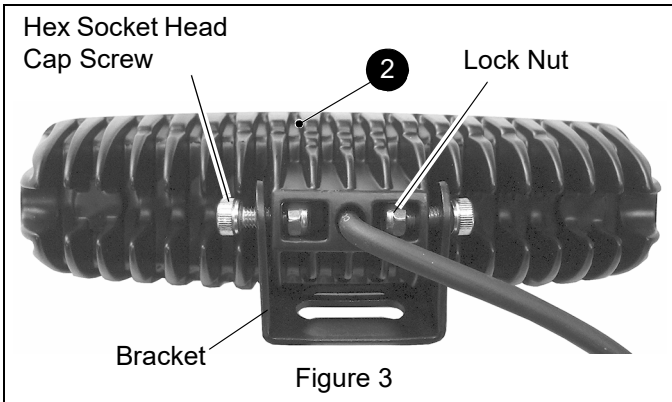
### INSTALLATION

**CAUTION: AVOID INJURY! ALWAYS** remove all batteries from mower before performing any service.

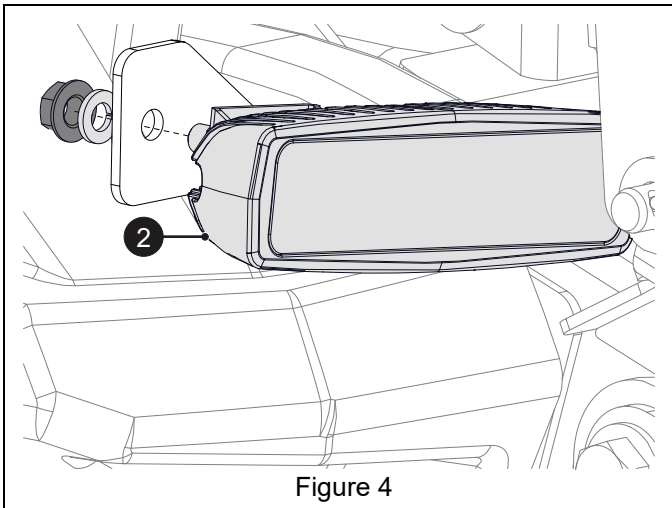
1. Stop unit and remove key.
2. Wait for all moving parts to stop and for hot parts to cool.
3. Open the battery cover and remove all batteries from mower.
4. Tilt operator's seat forward.
5. Partially install two 5/16" x 1/2" tapping screws (item 5) in front of lever pivot brackets on both sides. Position right (item 4) and left (item 3) headlight mounting brackets over tapping screws and tighten screws. See Figure 2.



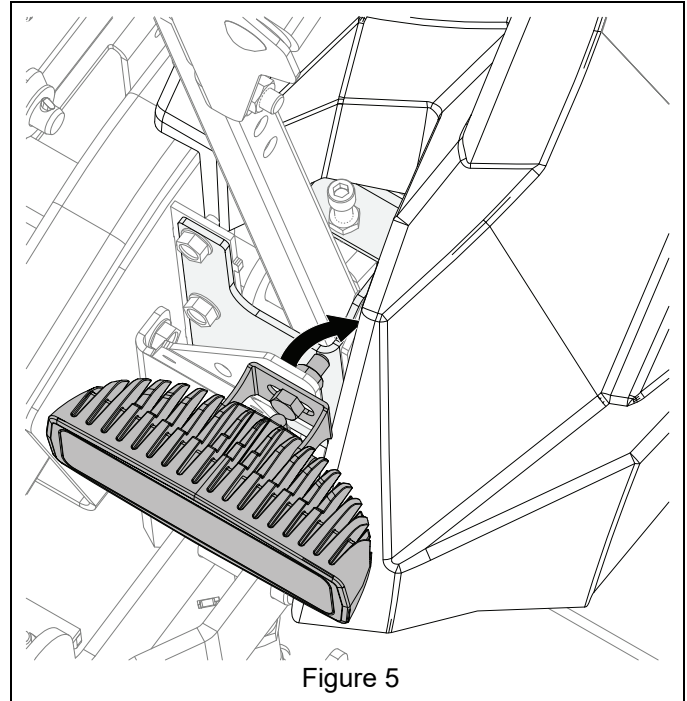
6. If not pre-installed, secure brackets to headlights (item 2) with included hardware. DO NOT completely tighten hardware until headlights are adjusted. See Figure 3.



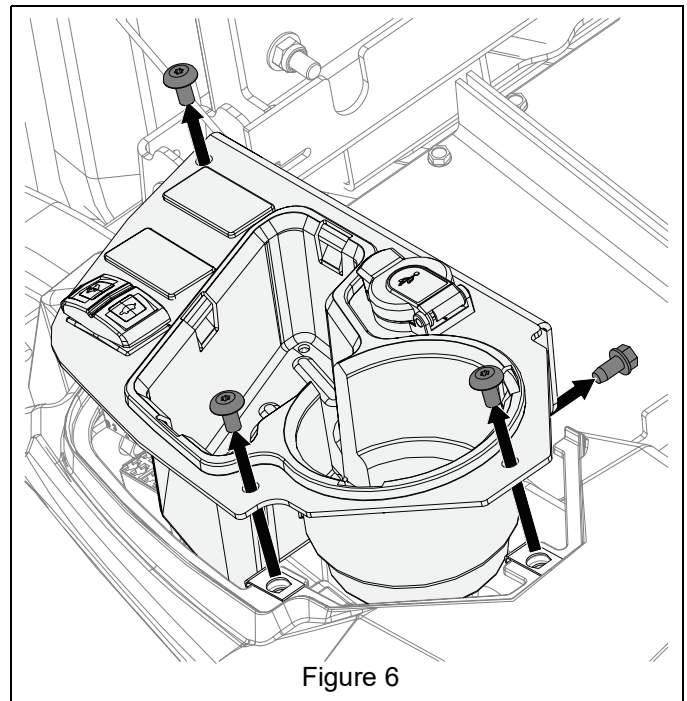
7. Secure each headlight to mounting brackets with included hardware. Headlights can be mounted either horizontally or vertically depending on preference. Do not fully tighten. See Figure 4.



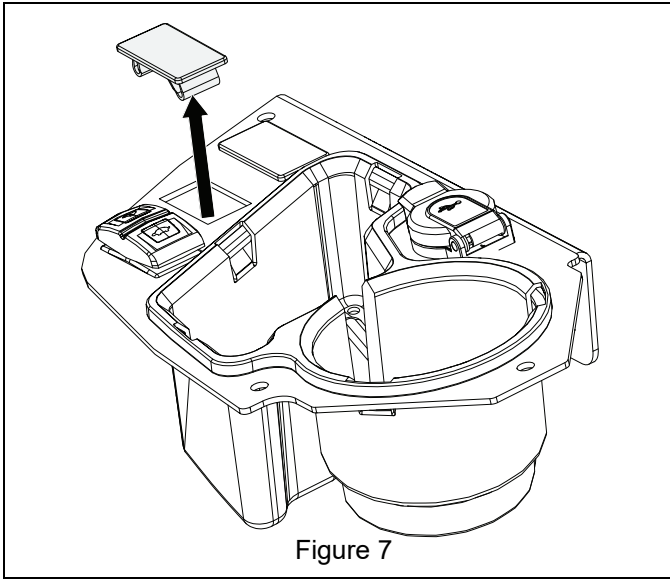
8. Connect short white wire on headlight harness (item 1) to red (or blue) wire on left headlight. Connect short black wire on harness to black (or brown) wire on left headlight.
9. Route headlight harness under left control panel. See Figure 5.



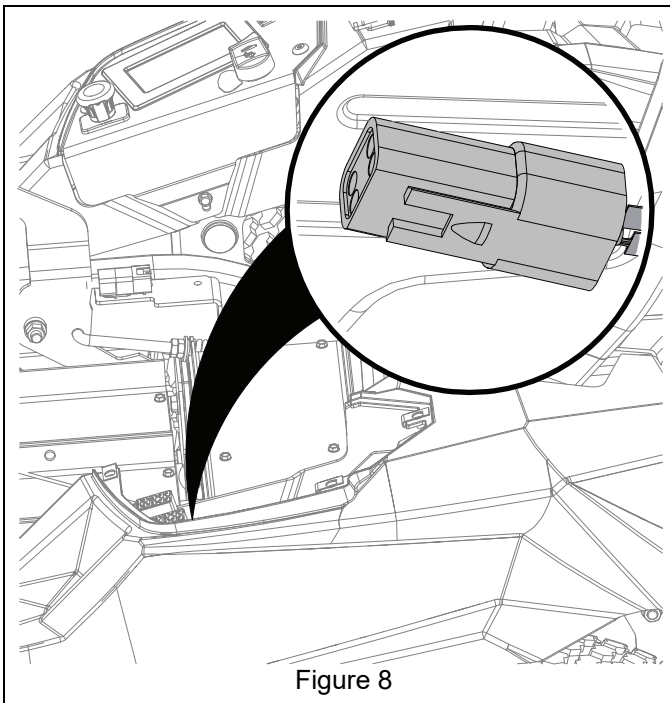
10. Remove and retain fasteners retaining left control panel. Disconnect speed selector switch and USB port connectors and remove control panel. See Figure 7.



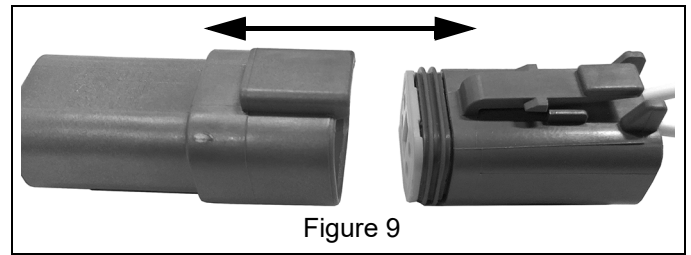
11. Remove and discard switch blank from control panel. See Figure 7.



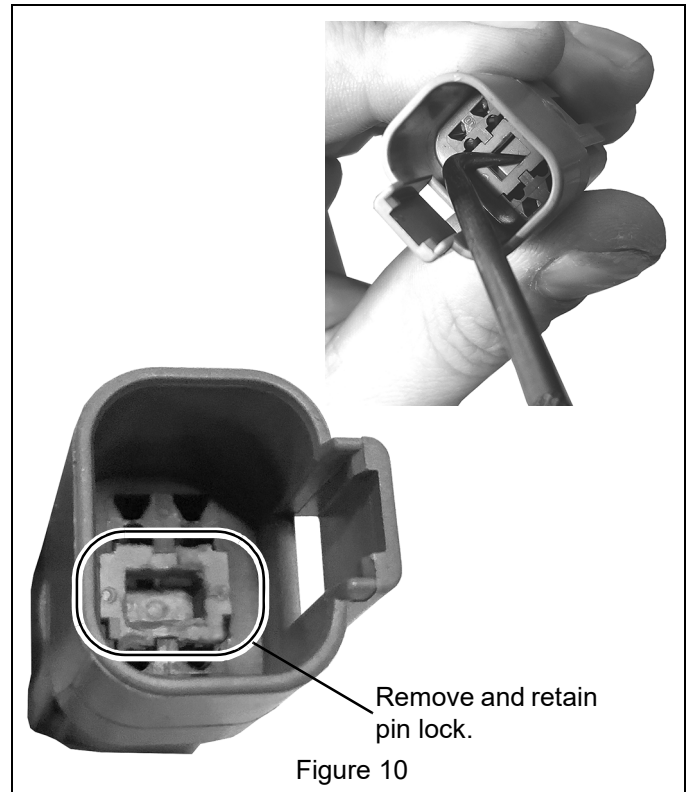
12. Locate accessory plug inside of left fender. See Figure 8.



13. Separate accessory plug. See Figure 9.



14. Using a right-angle pick or similar tool, remove and retain pin lock from inside connector. See Figure 10.



15. Remove two protective pins from accessory plug and insert round pin connectors on light harness into plug.
  - Connect white / black wire pin connector to sockets 1 or 4.
  - Connect black wire pin connector to sockets 2 or 3.

**IMPORTANT:** Choose one side of the plug or the other. DO NOT connect diagonally. See Figure 11.

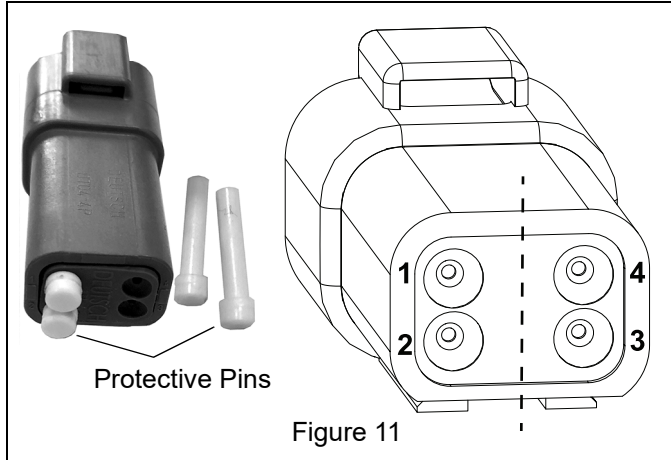


Figure 11

See Figure 12.

16. Ensure that pin connectors are fully seated in plug.
17. Position pin lock back into plug and lock into position using a flat-blade screwdriver or similar tool.
18. Reconnect accessory plug.

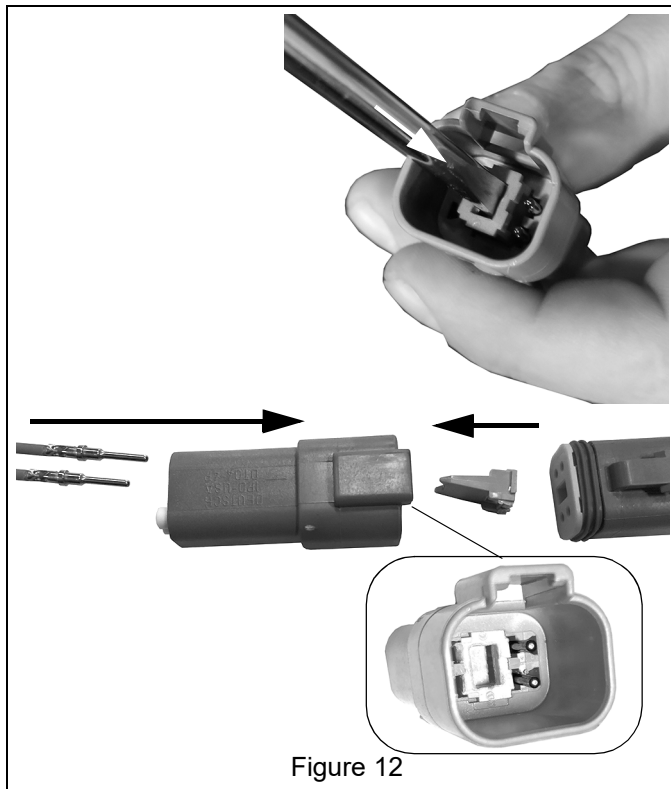


Figure 12

19. Position control panel in opening without securing. Route switch plug on wire harness (item 1) through switch hole and connect to back of light switch (item 6). "I" graphic on switch rocker faces forward. See Figure 13.

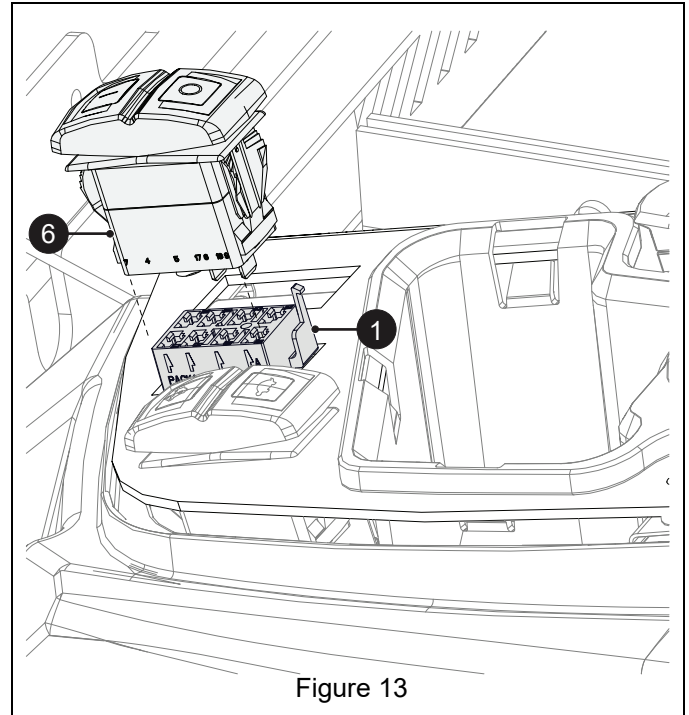


Figure 13

20. Press headlight switch firmly into switch hole until it snaps into position.
21. Reconnect speed control switch and USB port connectors and secure control panel with fasteners removed earlier. See Figure 15.

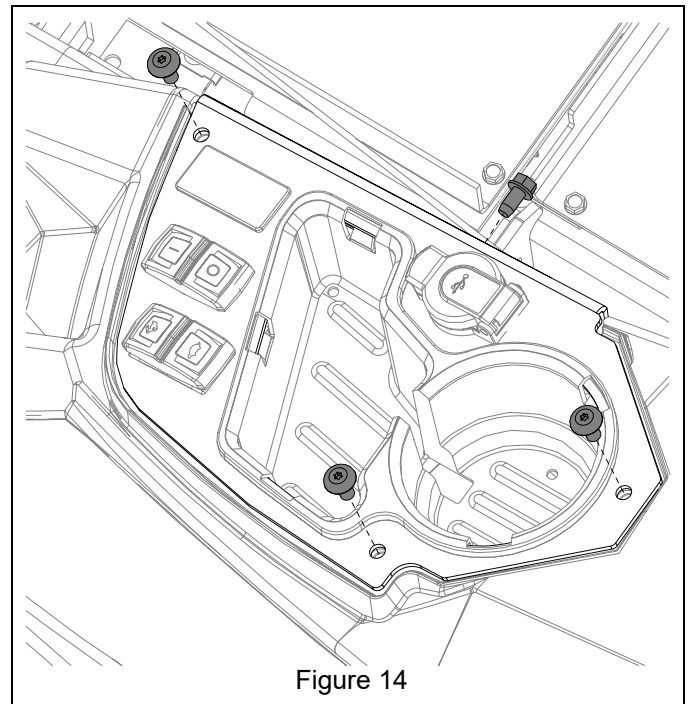


Figure 14

22. Route long headlight harness lead in front of left opening at front of mower motor controller bracket and out right front opening in front of bracket. Continue routing under steering sensor connector and forward of parking brake handle out to right headlight. See Figure 15.

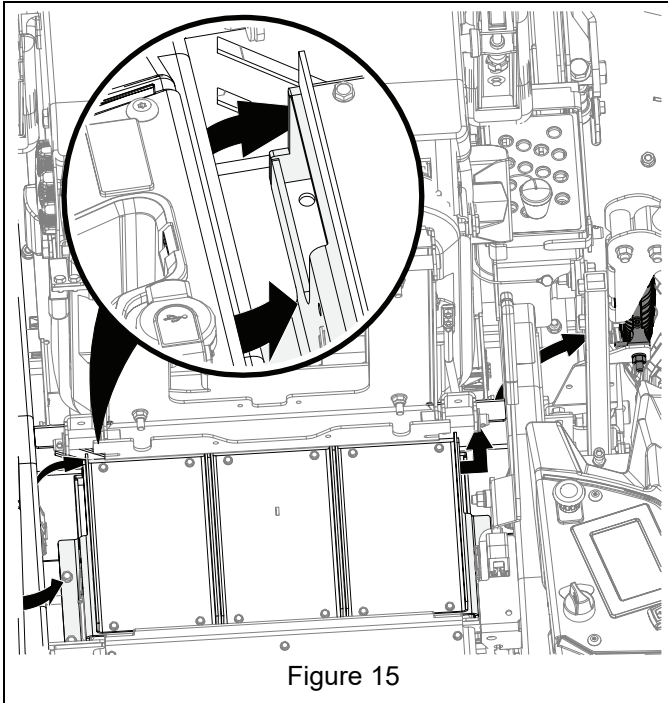


Figure 15

23. Connect white harness wire to red (or blue) headlight wire.  
24. Connect black harness wire to black (or brown) headlight wire.  
25. Securely attach harness to headlight brackets and right seat bracket with cable ties (item 7). Ensure harness and ties are secured away from hot or moving parts. See Figure 16.

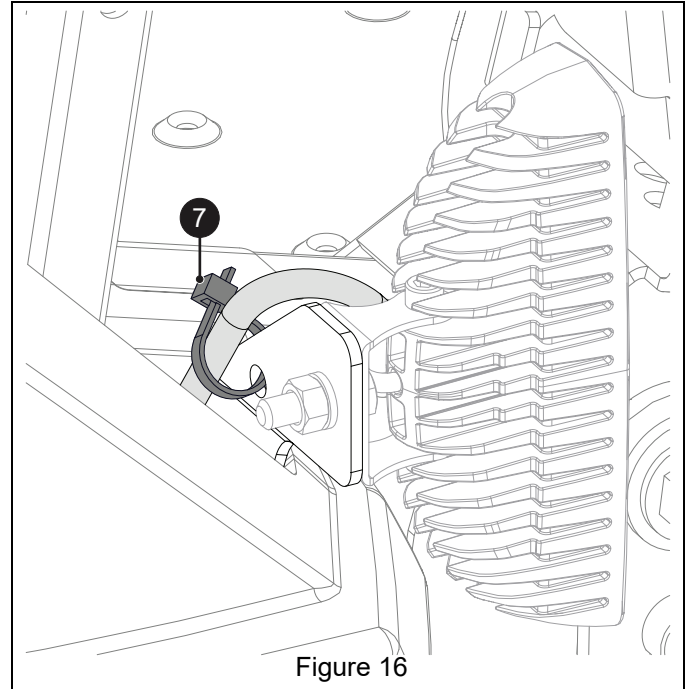


Figure 16

26. Reinstall battery or batteries and securely close battery cover.  
27. Return seat to operating position.  
**NOTICE:** Operator must sit in seat once with key and headlights on for headlights to operate.  
28. Sit in operator's seat.  
29. Turn key switch to on position and turn on headlights.  
30. Adjust headlights and tighten hardware.  
31. Turn off headlights and turn key switch to off position.