

# Instruction Sheet

## Kit Number: 79110000

### OPERATOR-CONTROLLED DISCHARGE BAFFLE KIT



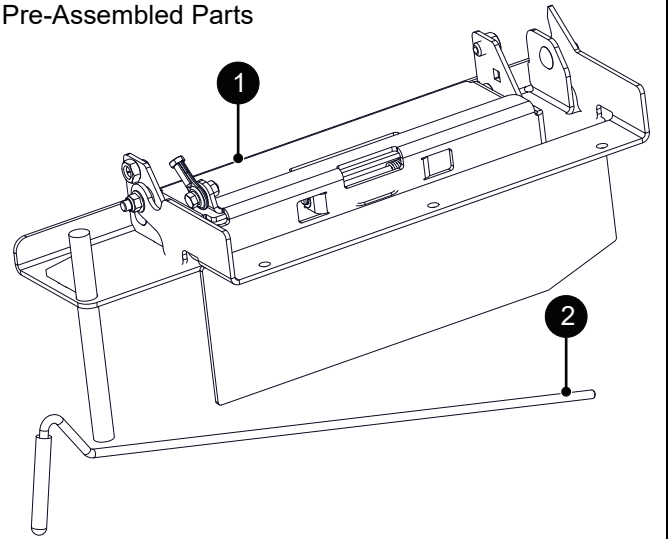
**WARNING: FAILURE TO FOLLOW INSTRUCTIONS** could result in personal injury and/or damage to unit.  
Read, understand, and follow all safety practices in Operator's Manual before beginning.

#### Package Contents

Check the contents of your kit for the parts listed below. Also see Figure 1.

Item	Description	Qty	AriensCo P/N
<b>Pre-Assembled Parts</b>			
1	Discharge Chute Assembly	1	See <i>Parts List</i> on page 7.
2	Handle Assembly	1	
<b>Non-Assembled Parts</b>			
3	Rubber Discharge Chute	1	04881200
4	Chute Clamp Plate	1	09362351
5	3/8"-16 x 1 1/4" Round Head Square Neck Bolt	3	06200236
6	3/8"-16 Nylon Locking Flange Nut	4	06500726
7	3/8"-16 x 2" Hex Bolt	1	05901718
8	Panel Bushing	1	07500126
9	3/8"-16 x 3/4" Tapping Screw	2	07400129
10	5/16"-24 Jam Nut	1	06500923
11	Danger Decal		02988100
12	1/4"-20 x 3/4" Hex Bolt	4	05901716
13	9/32" x 5/8" x 1/16" Flat Washer	4	06401001
14	1/4"-20 Locking Center Flange Nut	4	06500821
15	Rod Bracket Plate	1	09370551
16	Rod Retainer Plate	1	09359151
17	Right Light Mounting Bracket **	1	09370351
18	52" Right Belt Guard **	1	09358951
** If Required			

Pre-Assembled Parts



Non-Assembled Parts

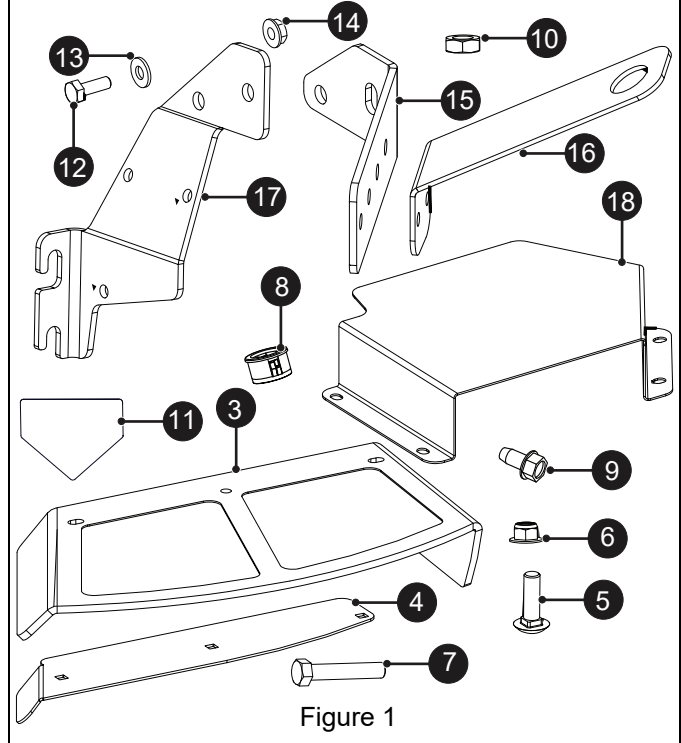
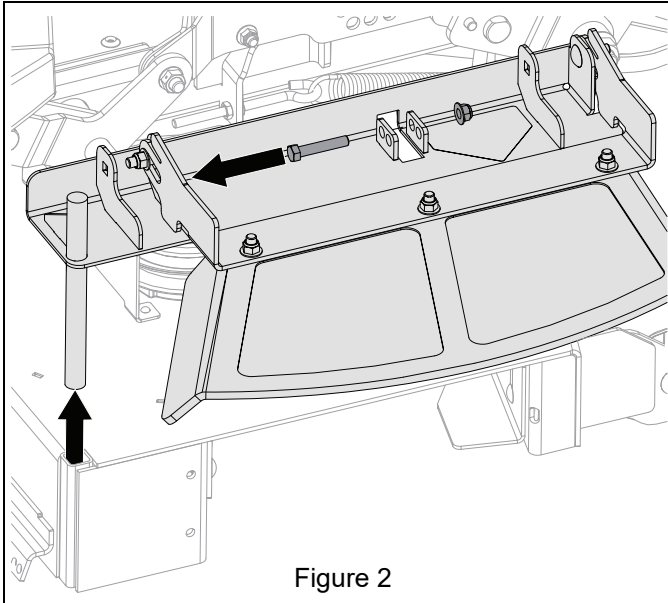


Figure 1

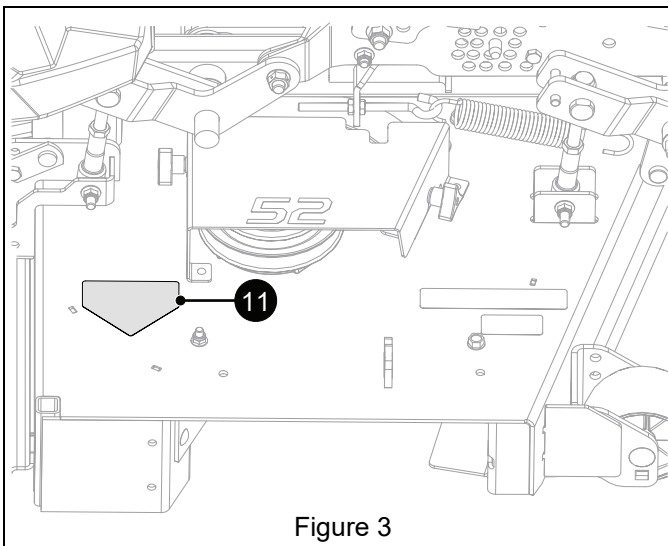
## REMOVAL

1. Park unit on a flat, level surface and engage parking brake.
2. Stop engine, remove key and wait for all moving parts to stop and for hot parts to cool.
3. Remove hardware retaining discharge chute assembly and remove chute assembly. Retain for use without chute kit. See Figure 2.

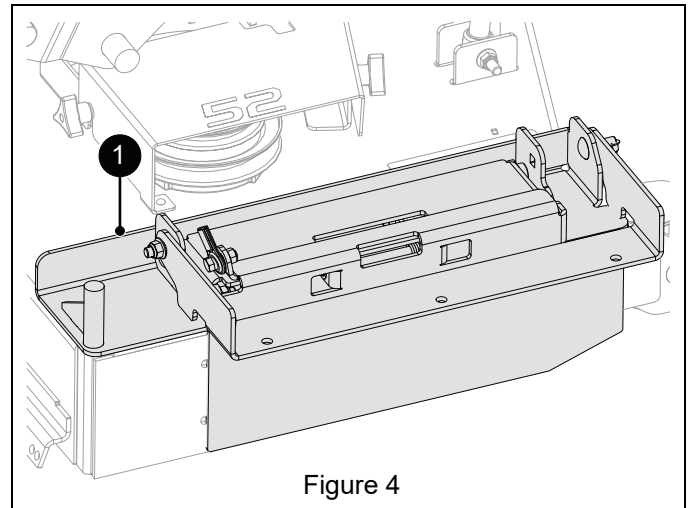


## INSTALLATION

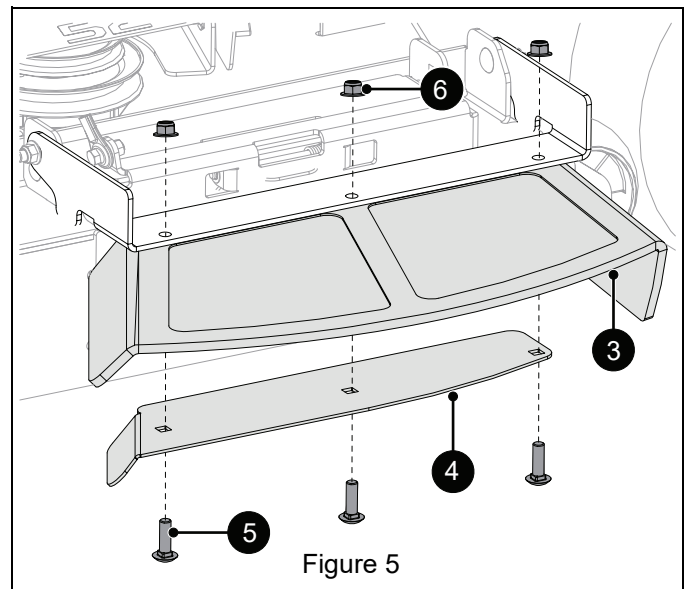
1. Thoroughly clean deck surface and install danger decal (Item 11) on deck across from existing deck safety decals. See Figure 3 for decal mounting location.



2. Install discharge chute assembly (Item 1) onto deck. See Figure 4.



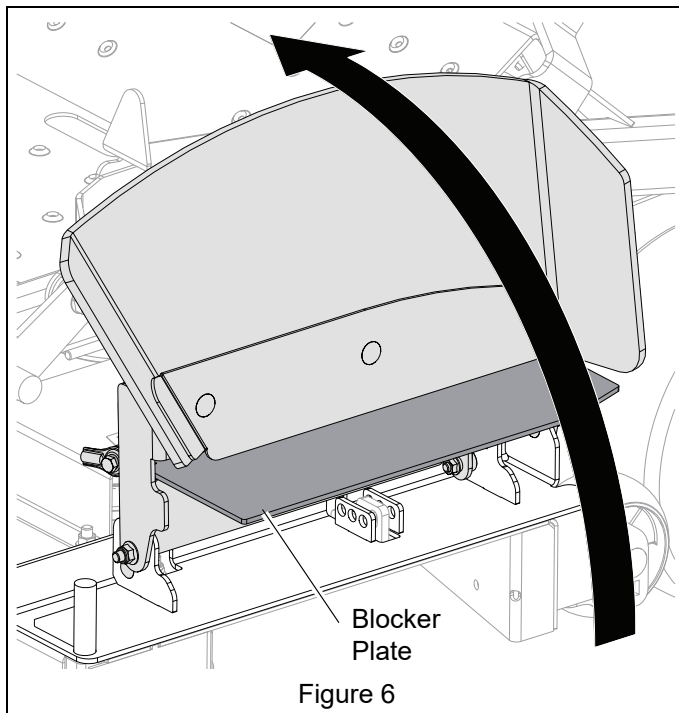
3. Secure rubber discharge chute (Item 3) and chute clamp plate (Item 4) to the mounting bracket using three 3/8" nylon locking flange nuts (Item 6) and three 3/8" x 1 1/4" round head square neck bolts (Item 5). See Figure 5.





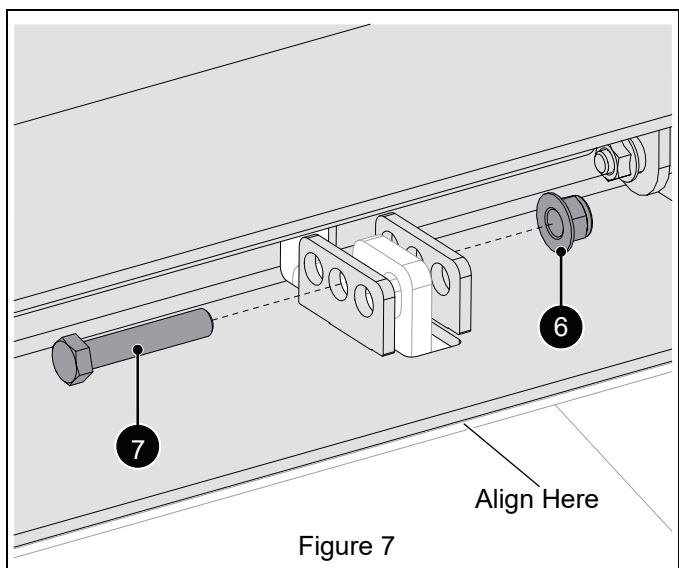
**CAUTION: AVOID INJURY.** Blocker plate is under spring tension. Use care when rotating blocker plate.

4. Rotate discharge chute and blocker plate upward. See Figure 6.



See Figure 7.

5. Align chute assembly edge with discharge opening.
6. Insert one 3/8" x 2" hex bolt (Item 7) through aligning holes and secure with one 3/8" nylon locking flange nut (Item 6).

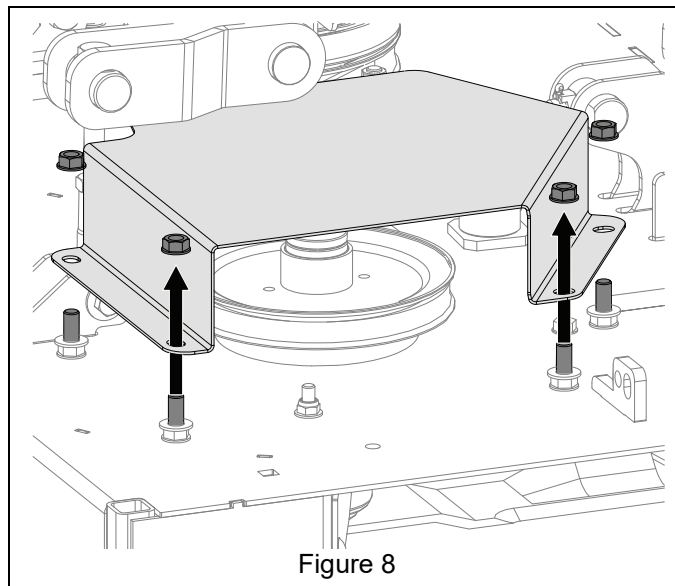


7. Return chute assembly to operating position.

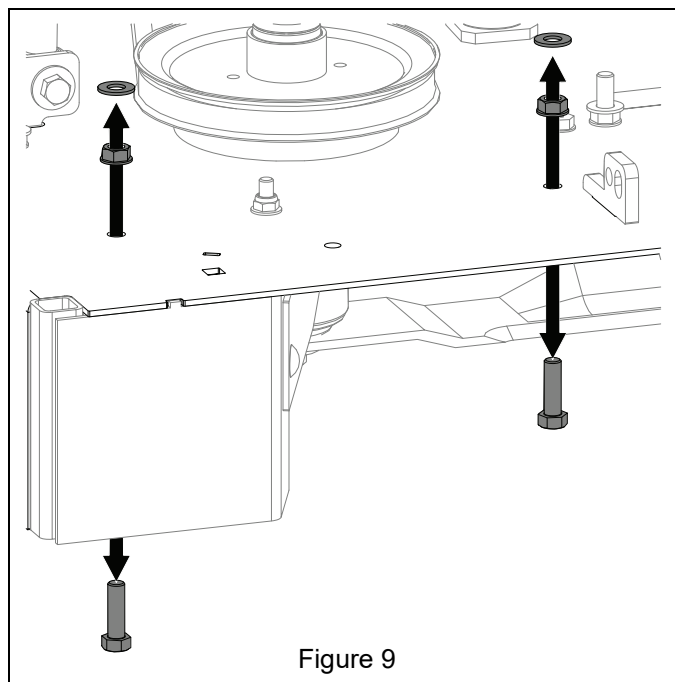
## Units With 52" Decks

### (44", 48" & 60" Decks – Skip This Section)

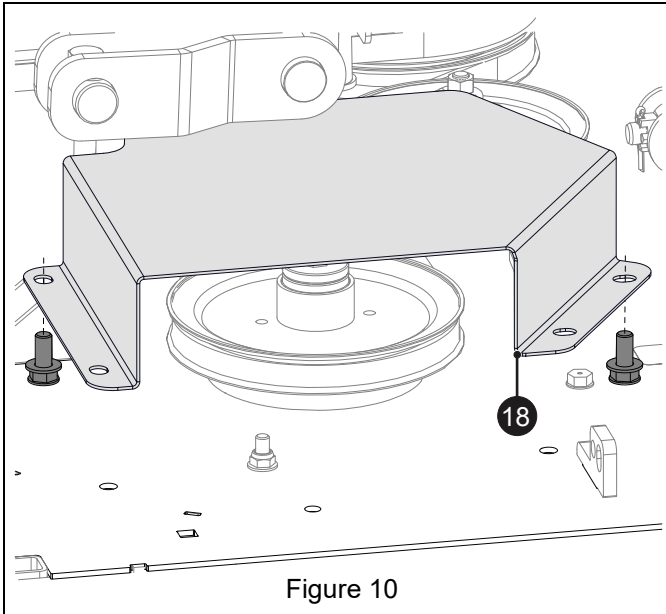
1. Remove and retain four 3/8" flange nuts securing right belt cover. Retain cover for use without OCDB kit. See Figure 8.



2. Remove and retain two outer flat washers, 3/8" flange nuts and 3/8" x 1 1/2" hex bolts from deck. See Figure 9.

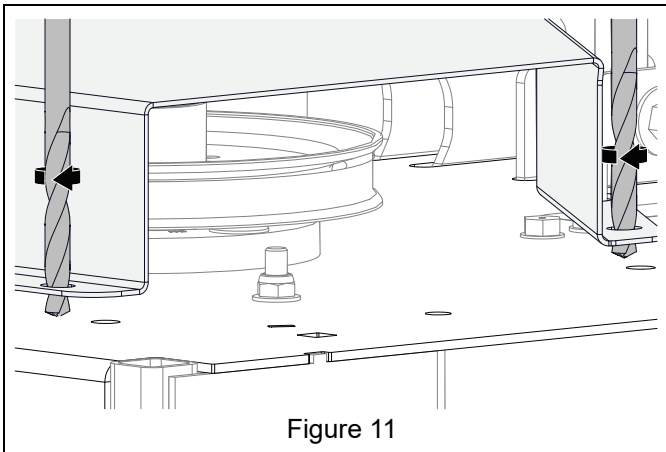


3. Position 52" right belt guard (Item 18) over inner belt guard hardware. See Figure 10.

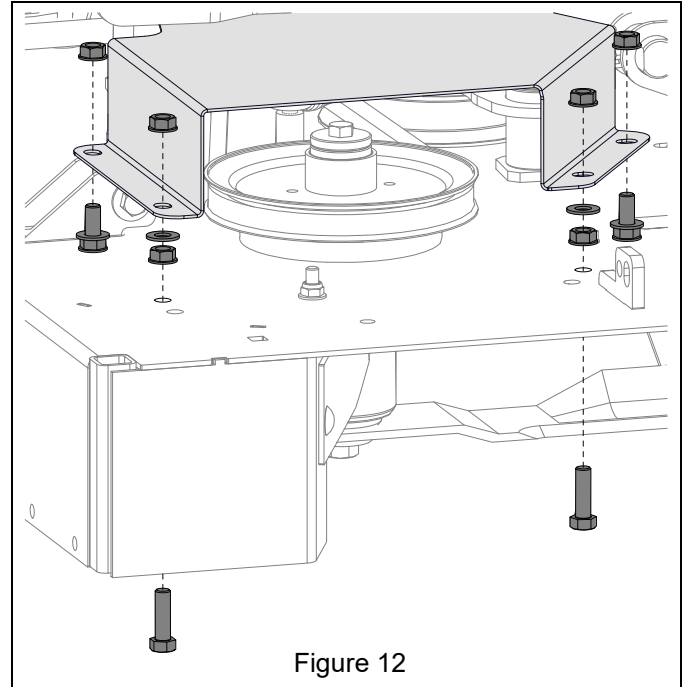


See Figure 11.

4. Using belt guard as a guide, center punch a mark for two new outer bolt hole locations.
5. Drill two  $13/32$ " (.406") holes.

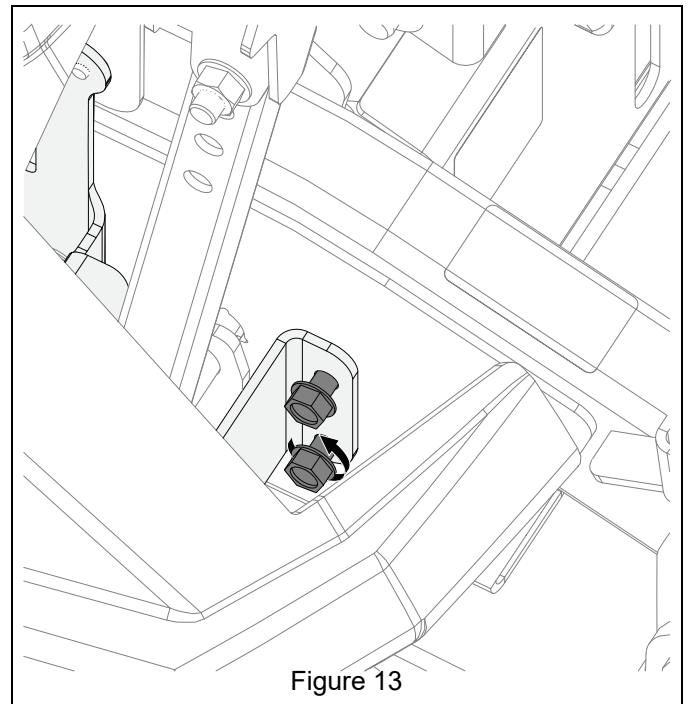


6. Reinstall two outer  $3/8$ " x  $1 1/2$ " hex bolts, two  $3/8$ " flange nuts and two flat washers. Reinstall belt guard and retain with four  $3/8$ " flange nuts. See Figure 12.



#### Units Without 79108600 Light Kit Installed

1. Loosen but do not remove front two tapping screws securing right steering lever pivot bracket. See Figure 13.



2. Position the right light mounting bracket (Item 17) behind the tapping screws and tighten. See Figure 14.

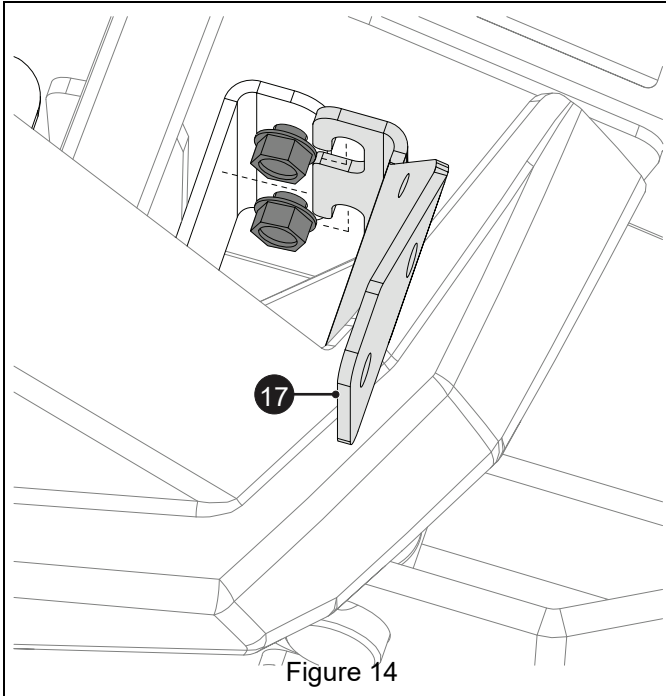


Figure 14

3. Attach rod bracket plate (Item 15) to headlight bracket with two 1/4" x 3/4" hex bolts (Item 12), two flat washers (Item 13) and two 1/4" locking center flange nuts (Item 14). See Figure 15.
4. Skip to *All Units* on page 6.

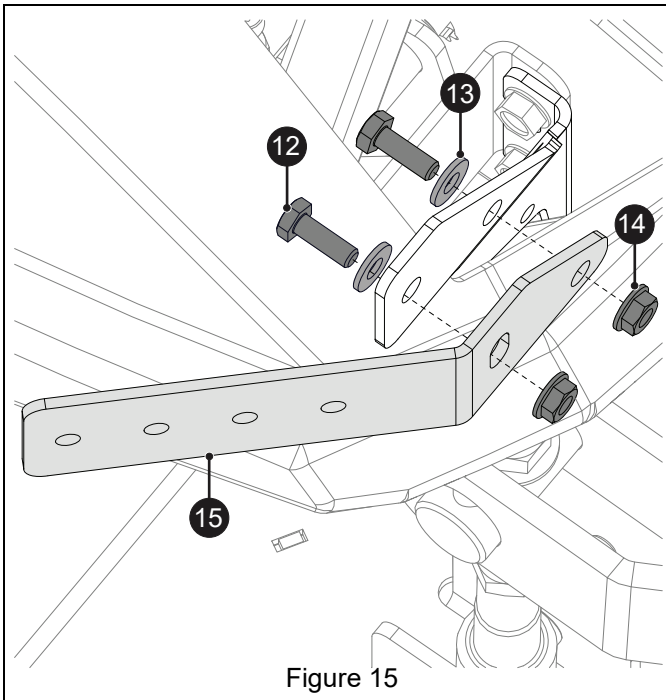


Figure 15

### Units With 79108600 Light Kit Installed

1. Remove and retain hardware retaining headlight and remove headlight. Take care to not damage headlight or wire harness. See Figure 16.

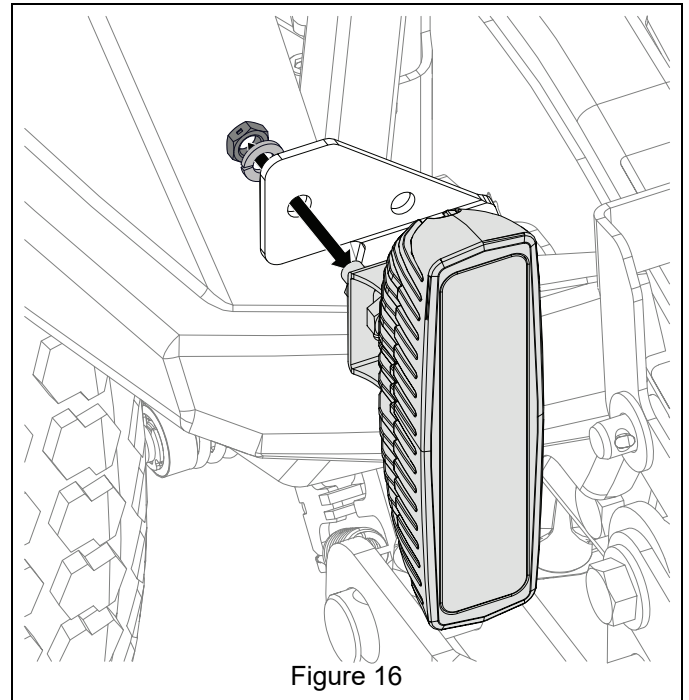


Figure 16

2. Attach rod bracket plate (Item 15) to headlight bracket with one 1/4" x 3/4" hex bolt (Item 12), one flat washer (Item 13) and one 1/4" locking center flange nut (Item 14). Reinstall headlight in upper hole. See Figure 17.

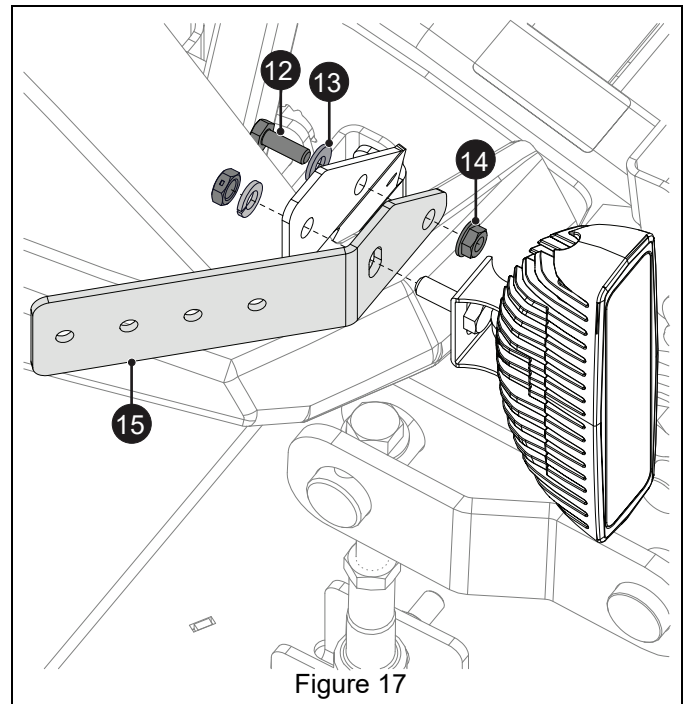


Figure 17

**All Units**

1. Attach rod retainer plate (Item 16) to rod bracket plate with two 1/4" x 3/4" hex bolts (Item 12), two flat washers (Item 13) and two 1/4" locking center flange nuts (Item 14). Mounting point is dependent on deck size. See Figure 18 for correct location.

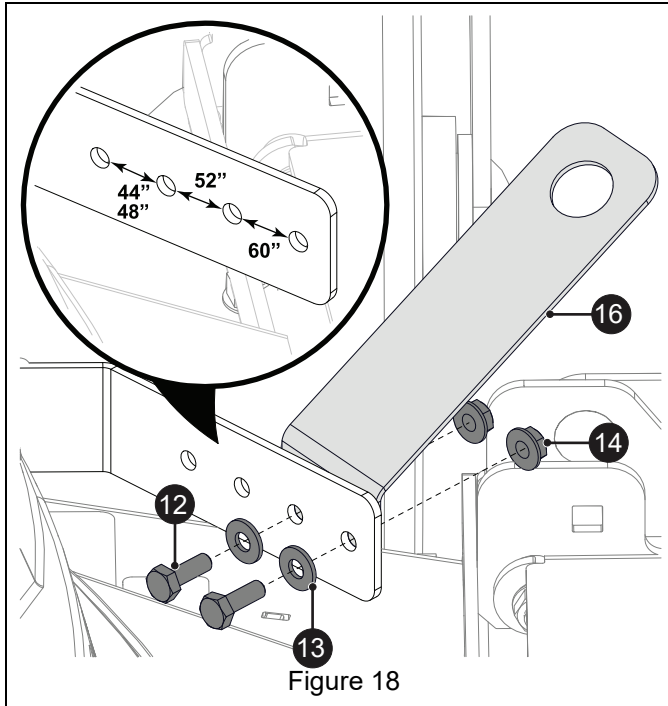


Figure 18

2. Install panel bushing (Item 8) into rod retainer plate. See Figure 19.

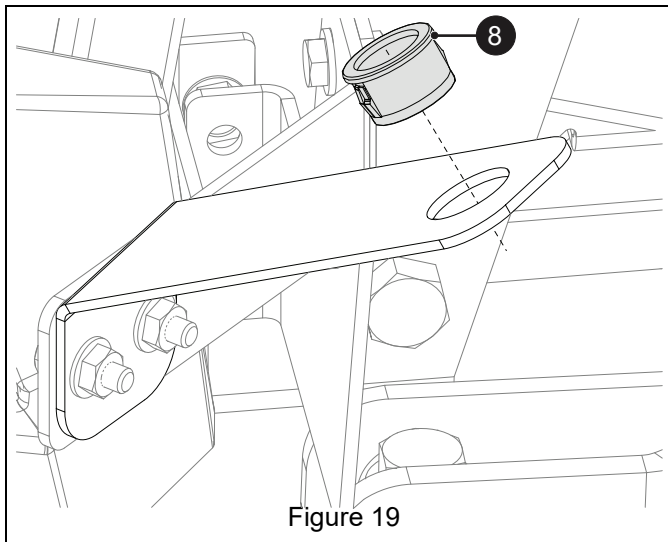


Figure 19

See Figure 20.

3. Insert handle assembly (Item 2) through handle bracket and into ball joint.
4. Turn jam nut (Item 10) up handle threads and turn handle clockwise into ball joint. Turn until at least half of the handle threads are seated in ball joint.

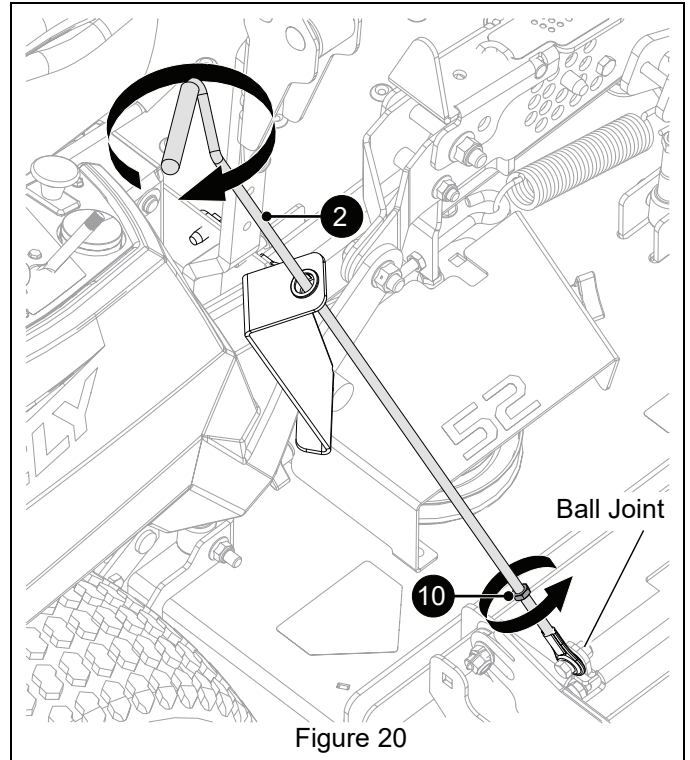


Figure 20

5. Sit in seat and rotate handle to a preferred height and position.
6. Tighten jam nut against ball joint. See Figure 21.

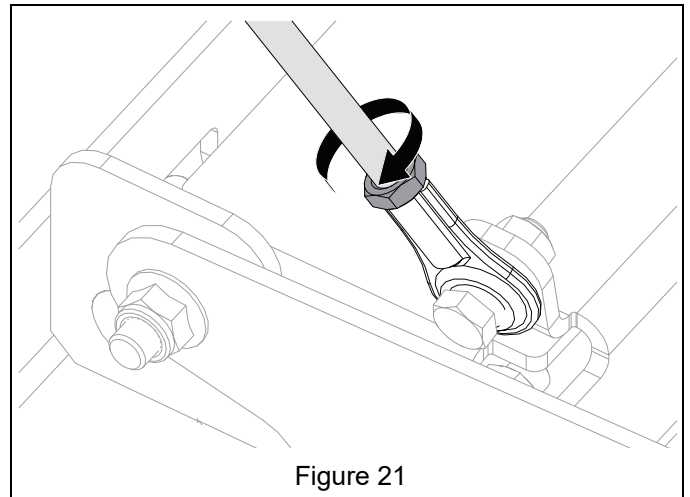


Figure 21

7. Test chute function.

**OPERATION**

1. Pull handle up to open discharge opening; push handle down to block discharge opening.

## PARTS LIST

See Figure 22.

Item	Description	Qty	AriensCo P/N
1	OCDG Base	1	04978151
2	Block-off Hinge	1	04867851
3	Block-off Plate	1	04870651
4	Chute Mounting Bracket	1	04849051
5	Rubber Discharge Chute	1	04881200
6	Chute Clamp Plate	1	09362351
7	5/16"-18 x 1 1/4" Round Head Square Neck Bolt	2	06200310
8	5/16" x 1/2" x 11/16" Bearing Spacer	2	01213100
9	5/16"-18 Center Locking Flange Nut	3	06500840
10	3/8"-16 x 1 1/4" Round Head Square Neck Bolt	7	06200236
11	3/8"-16 Nylon Locking Flange Nut	8	06500726
12	3/16" x 11 1/4" Pin	1	06800123
13	5/16" x 1/32" External Retaining Ring	2	05718300
14	Torsion Spring	1	08300515
15	5/16" Right Hand Thread Ball Joint	1	03787100
16	5/16"-18 x 1" Hex Bolt	1	05901701
17	3/8" x 1/2" x 7/8" x 13/32" Flange Bushing	4	05500435
18	Soft Touch Hand Grip	1	05174400
19	Handle	1	04852700
20	5/16"-24 Jam Nut	1	06500923
21	3/8"-16 x 3/4" Tapping Screw	2	07400129
22	3/8"-16 x 2" Hex Bolt	1	05901718
23	Panel Bushing	1	07500126
24	Danger Decal	1	02988100
25	1/4"-20 x 3/4" Hex Bolt	4	05901716
26	9/32" x 5/8" x 1/16" Flat Washer	4	06401001
27	1/4"-20 Locking Center Flange Nut	4	06500821
28	Rod Bracket Plate	1	09370551
29	Rod Retainer Plate	1	09359151
30	Right Light Mounting Bracket **	1	09370351

Item	Description	Qty	AriensCo P/N
31	52" Right Belt Guard **	1	09358951
32	1/2"-13 Jam Nut	2	06500911
33	Ball Spring Plunger	2	07001704
** If Required			

