

# Instruction Sheet

## Kit Number: 78593500

### DETHATCHER SEEDING HOPPER KIT

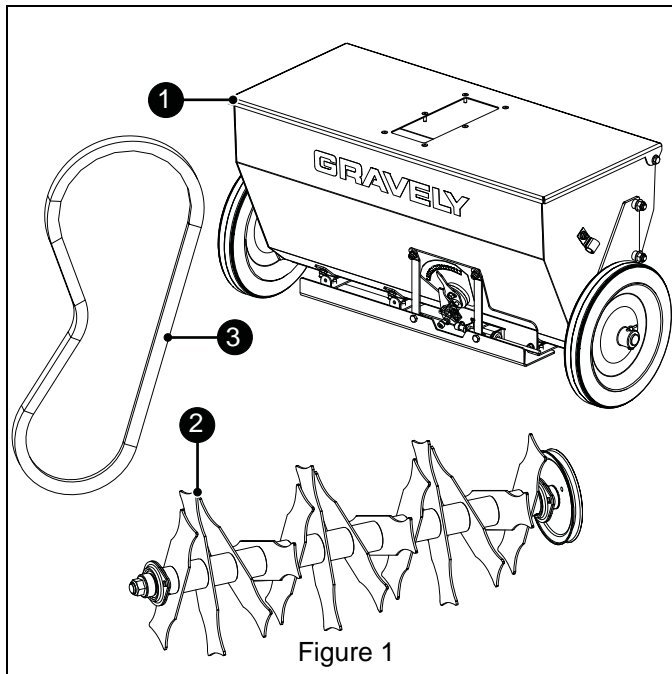


**WARNING: FAILURE TO FOLLOW INSTRUCTIONS** could result in personal injury and/or damage to unit.  
Read, understand, and follow all safety practices in the Operator's Manual before beginning.

#### Package Contents

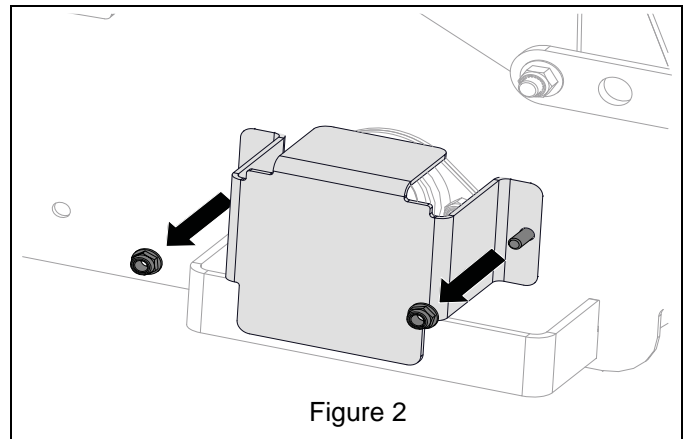
Check the contents of your kit for the parts listed below. Also see Figure 1.

Item	Description	Part Number	Qty
1	Drop Seeder Hopper	N/A	1
2	Tine Assembly	N/A	1
3	V-Belt	07213000	1
4	P-Clip	AH89557	1

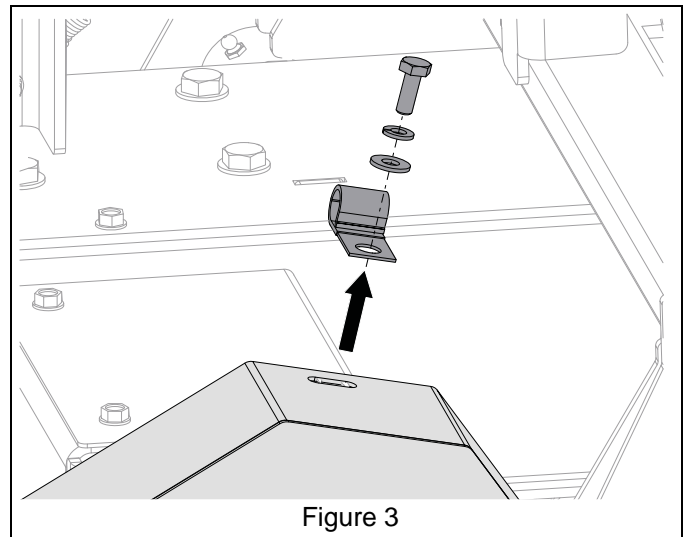


### REMOVAL

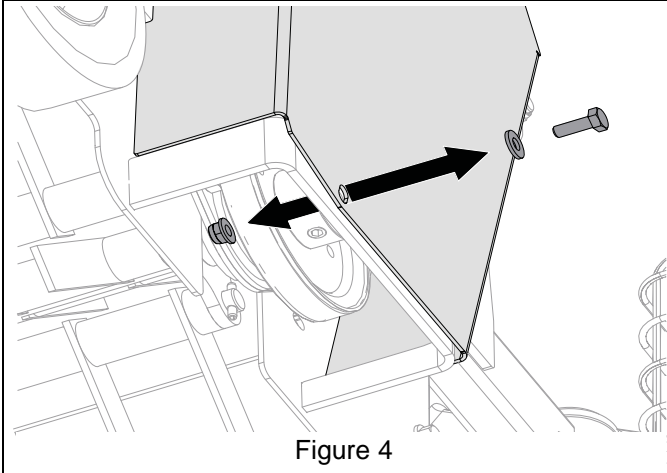
1. Stop engine, remove key and engage parking brake.
2. Wait for all moving parts to stop and for hot parts to cool.
3. Remove and retain two nyloc nuts and hex bolts from right end cover and remove cover. See Figure 2.



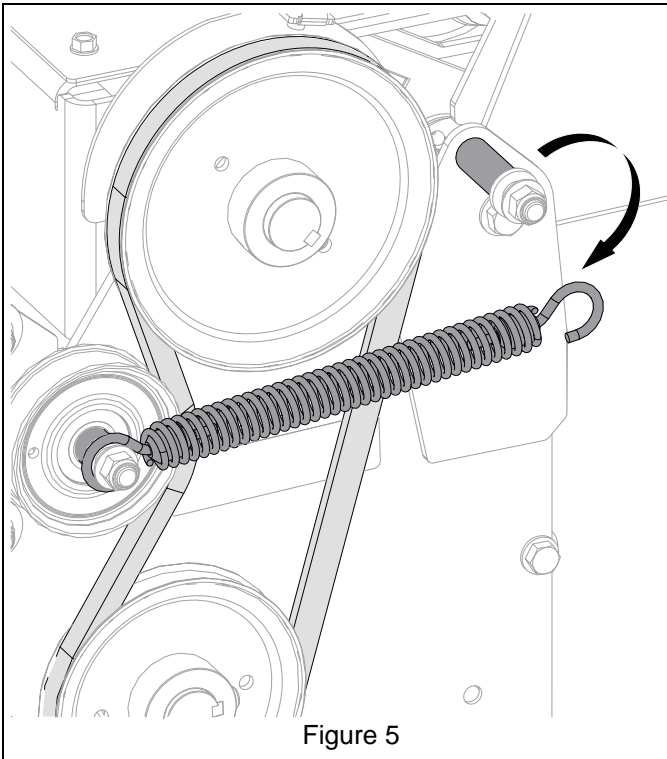
4. Remove and retain hex bolt, lock washer, flat washer and p-clip from belt shield. See Figure 3.



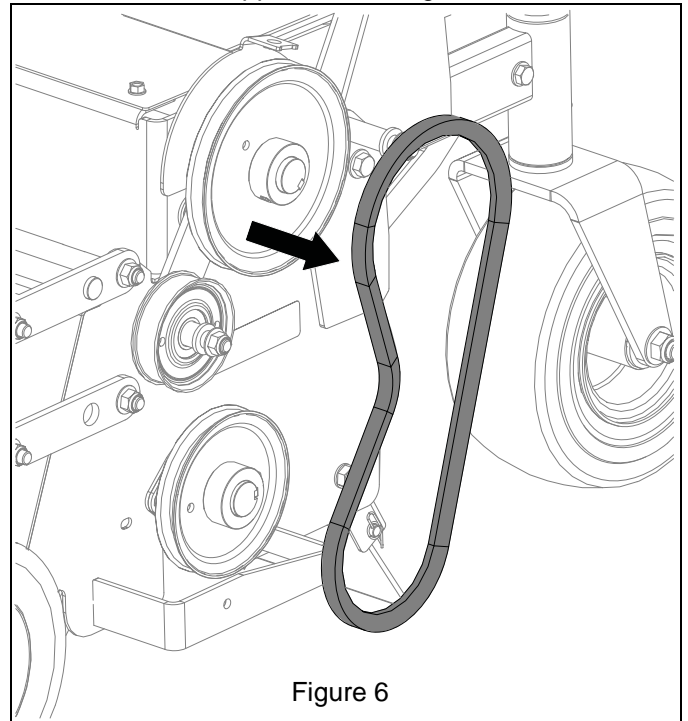
5. Remove and retain hex bolt, washer and nyloc nut from bottom of belt shield and remove belt shield. See Figure 4.



6. Disconnect idler spring from anchor. See Figure 5.

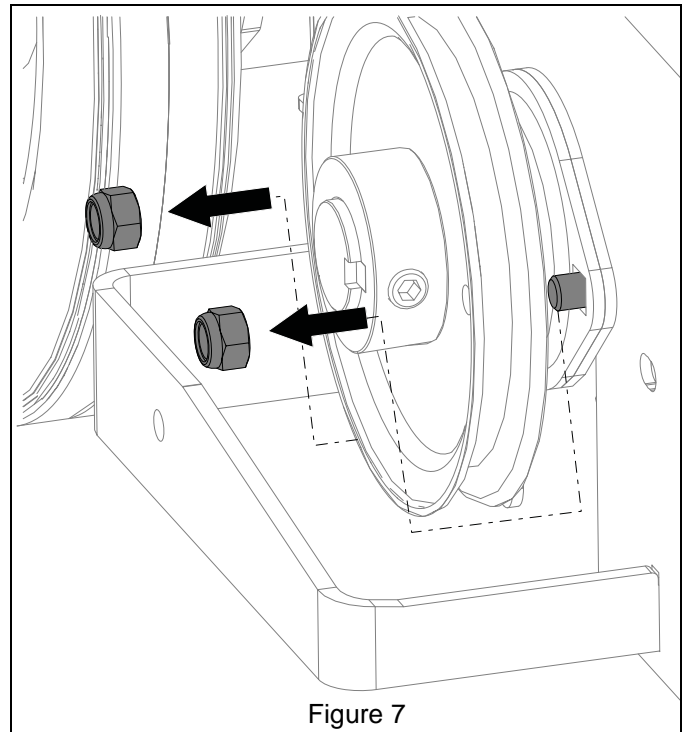


7. Remove belt. Retain for operation of dethatcher without seed hopper kit. See Figure 6.



**CAUTION:** Support blade assembly before removing mounting hardware.

8. Remove and retain two hex bolts and nyloc nuts from left flange bearing. See Figure 9.



9. Support blade assembly and remove and retain two hex bolts and nyloc nuts from right flange bearing. See Figure 8.

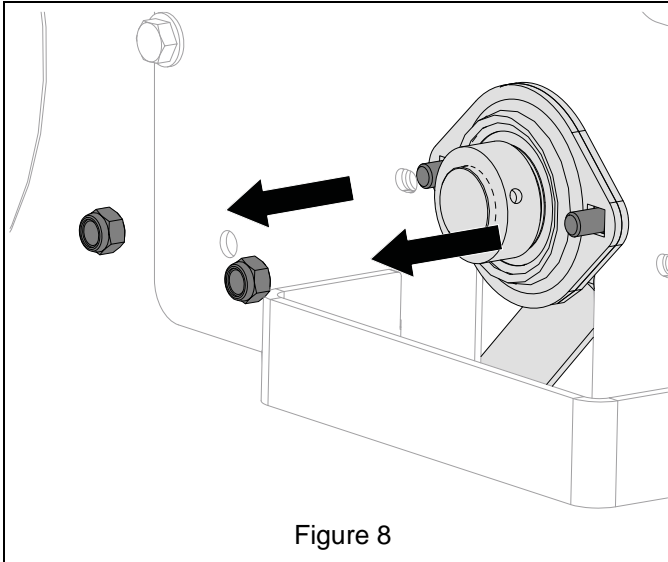


Figure 8



**CAUTION: AVOID INJURY.** Ensure dethatcher is fully supported before removing blade assembly.

10. Remove blade assembly. See Figure 9.

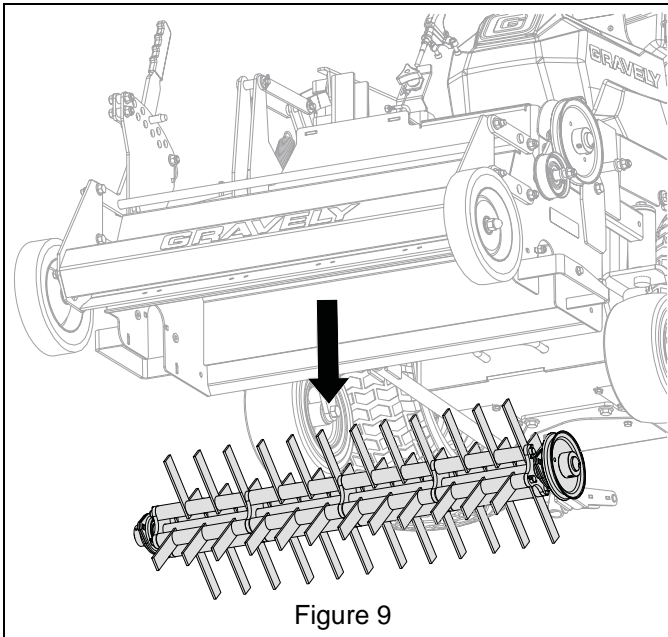


Figure 9

11. Remove and retain two hex bolts and nyloc nuts from outer brackets. Repeat on opposite side. See Figure 10.

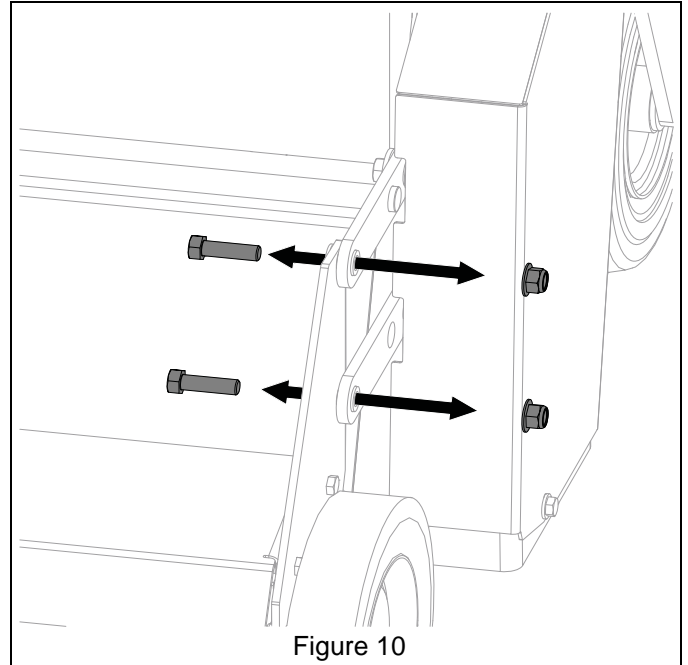


Figure 10

12. Remove wheel assembly. Retain for use without seed hopper. See Figure 11.

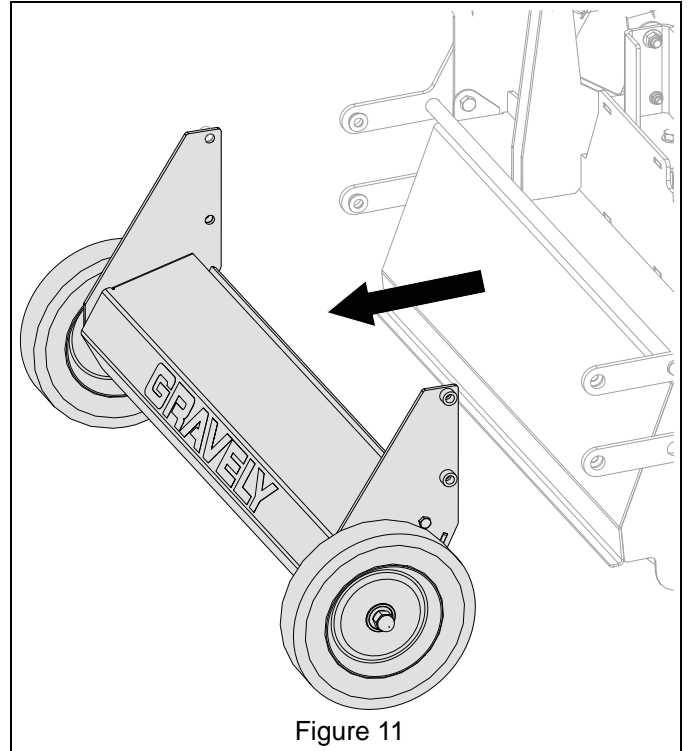
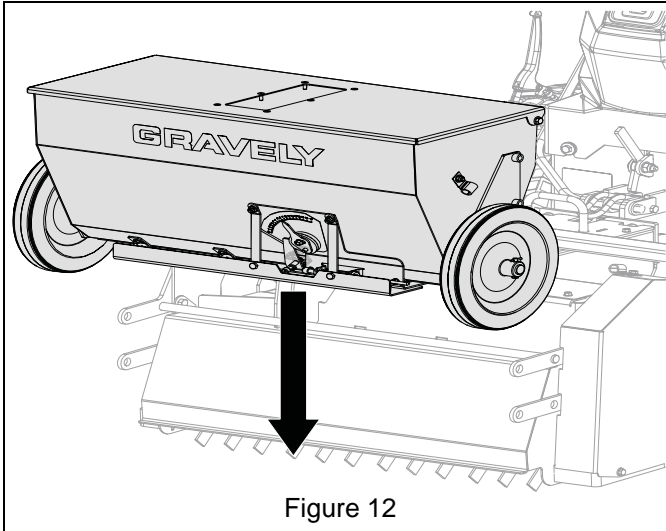


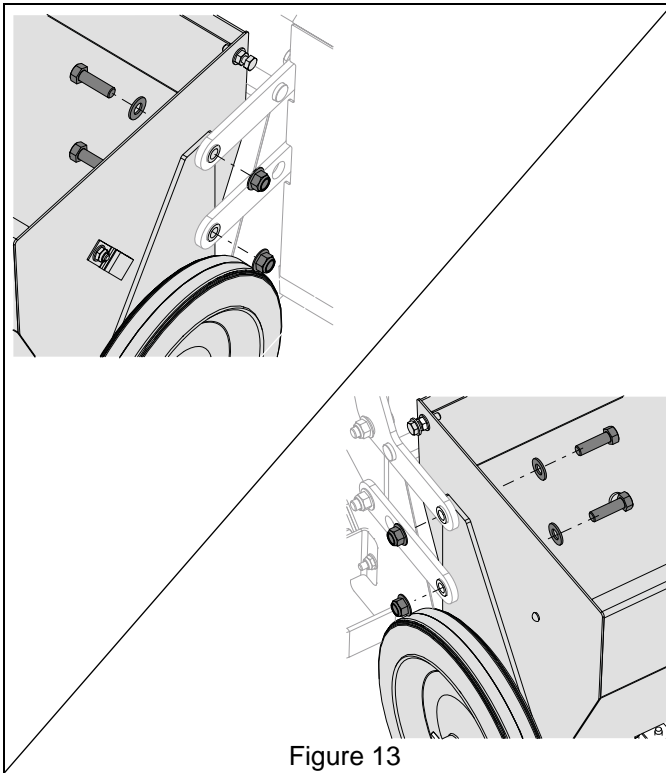
Figure 11

## INSTALLATION

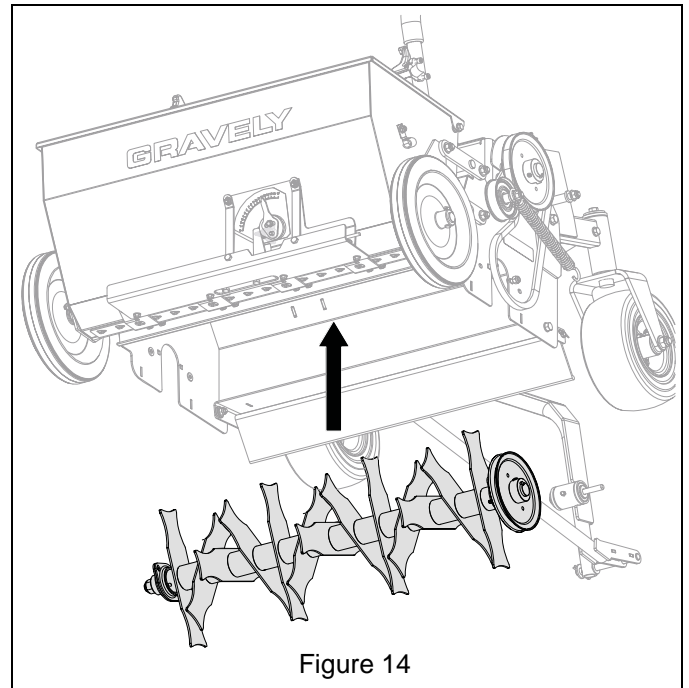
1. Position hopper (item 1). See Figure 12.



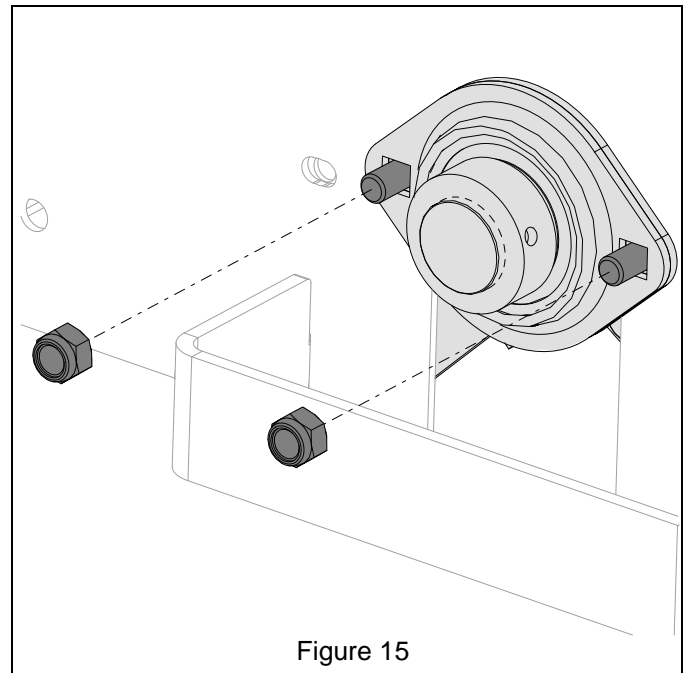
2. Secure hopper to outer brackets with hardware removed earlier. See Figure 13.



3. Position and support tine assembly (item 2) in dethatcher. See Figure 14.



4. Secure the right side of the bearing mount with hardware removed earlier. See Figure 15.



5. Secure the left side of the bearing mount with hardware removed earlier. See Figure 16.

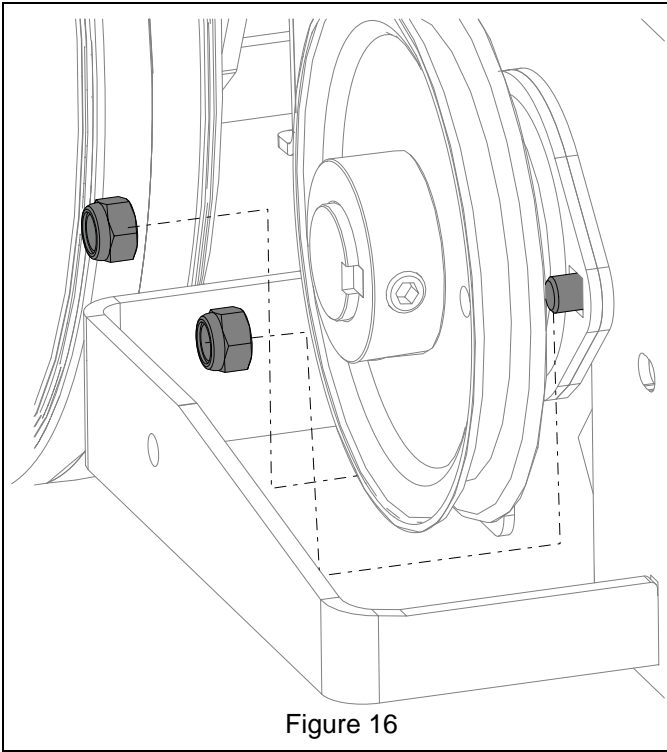


Figure 16

6. Verify that tine assembly rotates freely.  
7. Secure right end cover with hardware removed earlier. See Figure 17.

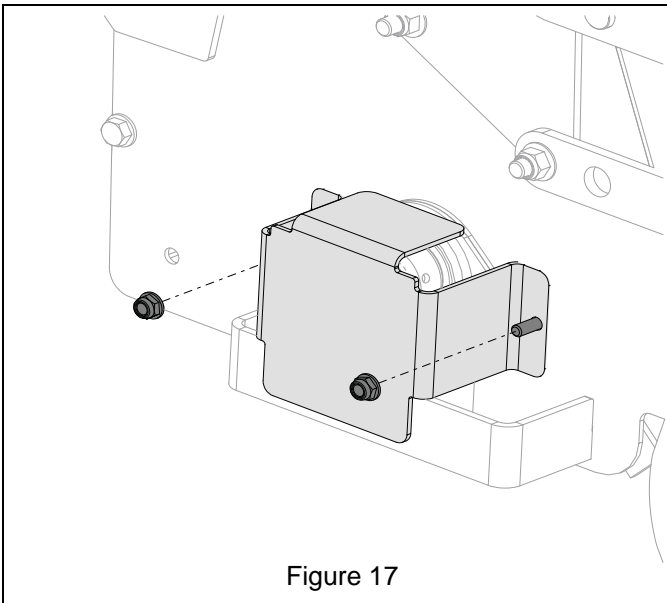


Figure 17

8. Install belt (item 3). See Figure 18.

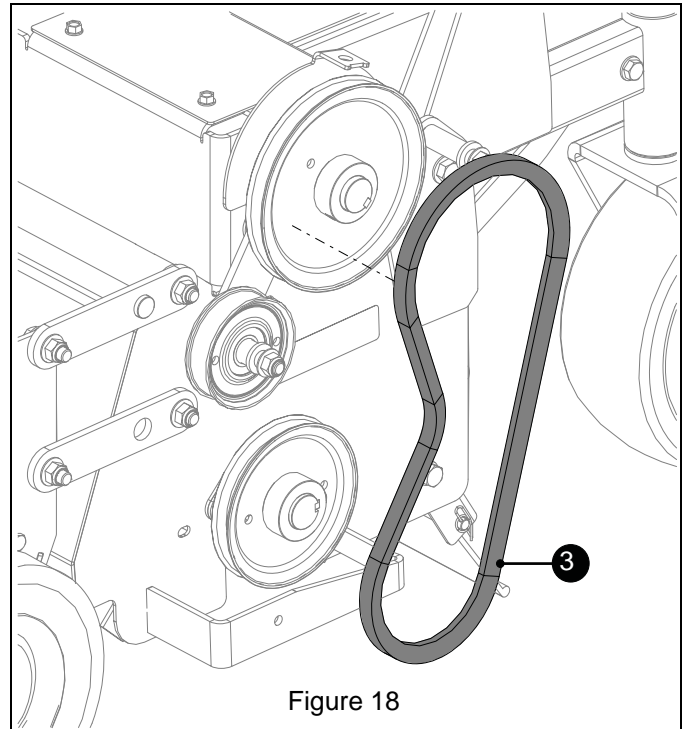


Figure 18

9. Connect idler spring to anchor. See Figure 19.

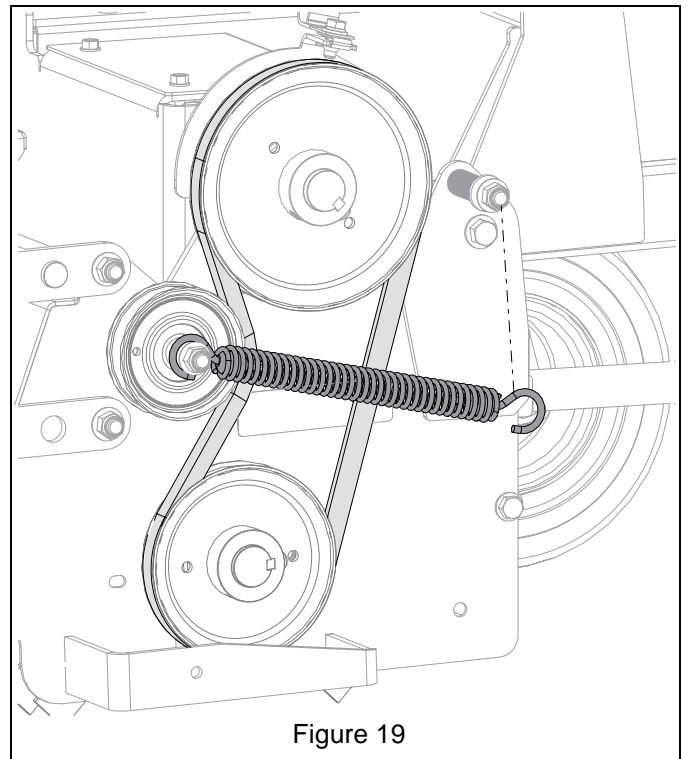


Figure 19

10. Route cable through p-clip and secure p-clip to belt shield with hardware removed earlier. See Figure 20.

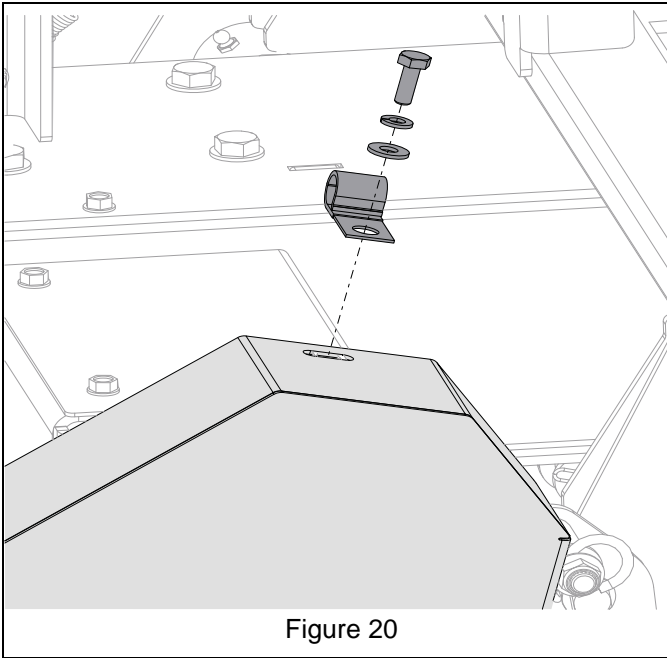


Figure 20

11. Secure belt shield with hardware removed earlier. See Figure 21.

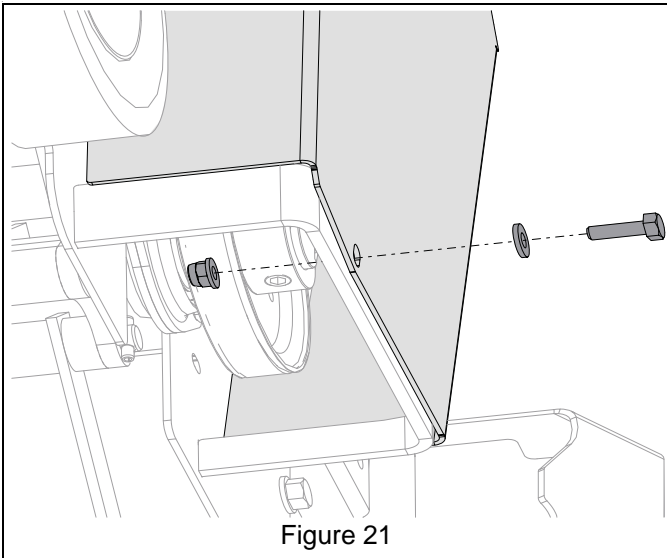


Figure 21

12. Position control box on bracket to align with holes and attach it with two socket-head-cap screws and two M5 locking nuts. See Figure 22.

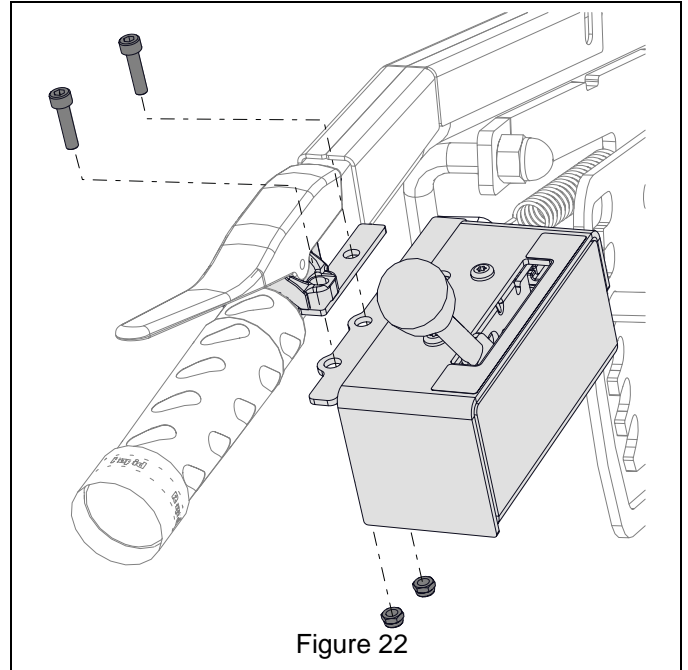


Figure 22

13. Install wing knob through control box and into bracket. See Figure 23.

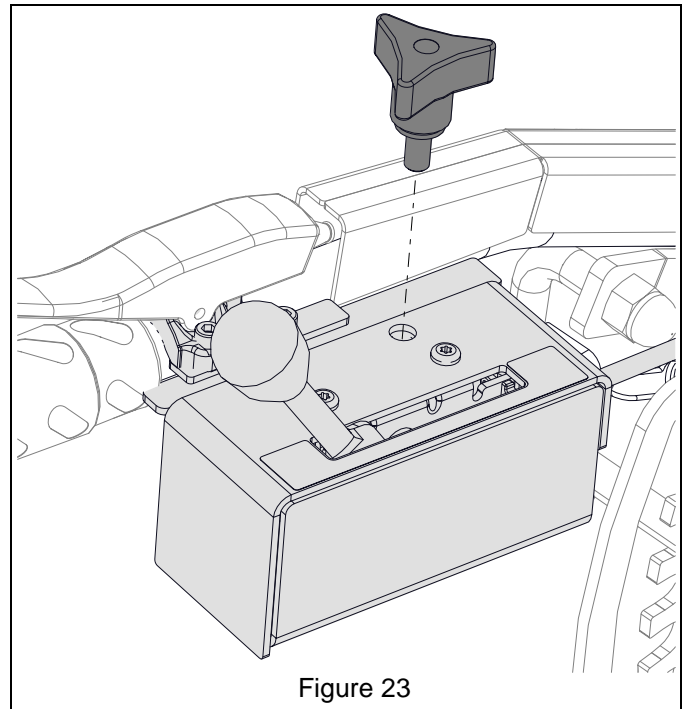


Figure 23



14. Route cable through clips. Secure p-clip to belt shield with hardware removed earlier and secure p-clip (item 4) to side shield. See Figure 24.

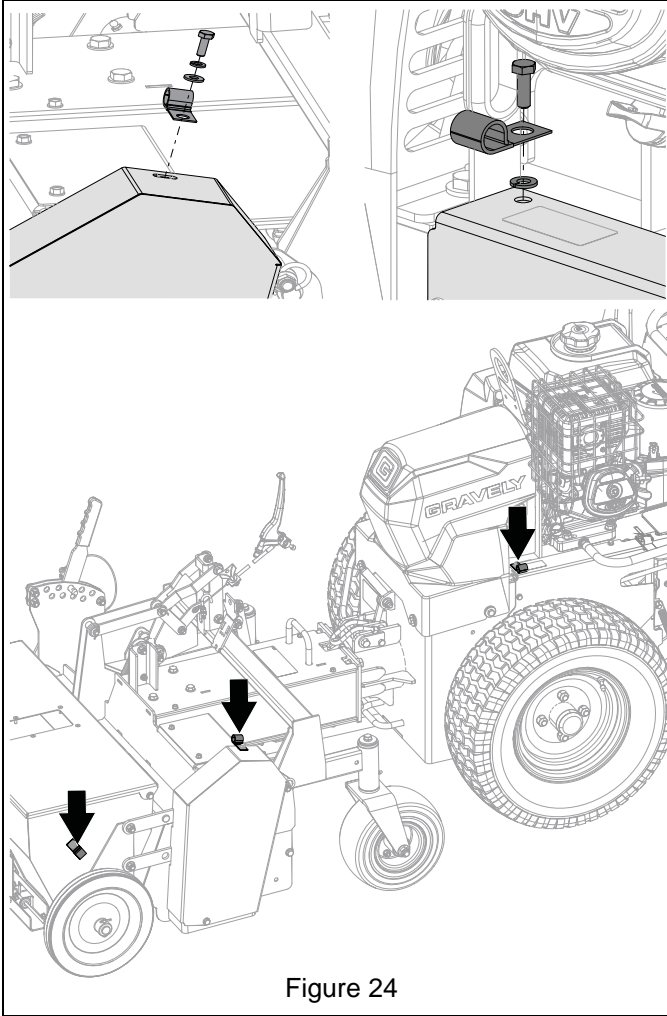


Figure 24

## CONTROLS

### Split Seeder Features

See Figure 25.

Split seeder blades:

- incorporate grass seed into soil.
- rejuvenate poor lawns.
- cut running stem grasses and open up soil to oxygen, water, nutrients and other chemicals.
- are beneficial on slopes, terraces and in high clay content soils where water runoff is a problem.

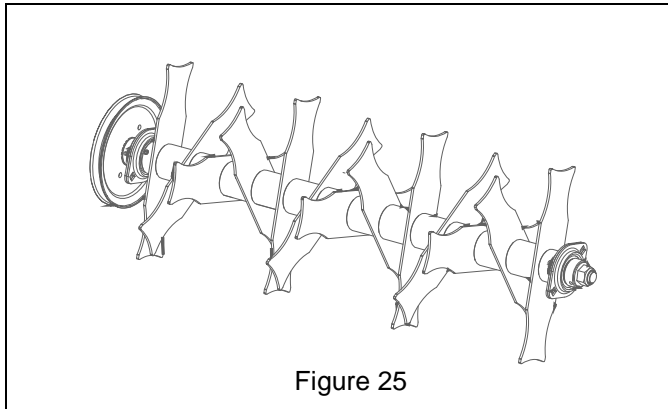


Figure 25

### Seed Application Guidelines

Set split seeder blades to penetrate the soil to a depth of 0.31 cm – 0.63 cm (1/8" – 1/4") with a maximum penetration of 0.3 cm (1/2").

### FOR BEST RESULTS

#### Lawn Preparation:

- Mow lawn to 1.3 cm (1/2") height.
- Do not water prior to seeding.
- Power rake to dethatch lawn and remove thatch in excess of 1.3 cm (1/2").
- Aerate lawn with core-type aerator.
- Fertilize lawn with broadcast spreader.

#### Seeding Recommendations:

- Overseed in two passes of one-half application rate at right angles or in a crossing pattern.
- Water heavily immediately; then lightly for 10 – 14 days to keep soil moist.
- After germination, water less often to promote root growth

APPLICATION GUIDELINES		
Seed Type	Rate kg (lb) Per 93 m <sup>2</sup> (1000 ft <sup>2</sup> )	Dial Setting
Ryegrass	0.4 (1.0)	5.5
	0.9 (2.0)	6.5
	1.4 (3.0)	7.5
	1.8 (4.0)	8.75
Bluegrass	0.4 (1.0)	4.5
	0.7 (1.5)	5.25
	0.9 (2.0)	6
Fescue	0.4 (1.0)	6
	0.9 (2.0)	7.5
	1.4 (3.0)	9
	1.8 (4.0)	10
Bentgrass	0.11 (0.25)	1
	0.2 (0.5)	1.5
	0.4 (1.0)	2.5
Centipedegrass	0.11 (0.25)	1.5
	0.2 (0.5)	1.75
	0.4 (1.0)	2
Bermudagrass	0.4 (1.0)	1.5
	0.9 (2.0)	2
St. Augustine Grass	0.2 (0.5)	3.5
	1.8 (4.0)	4.5

### BEFORE OPERATION

1. Ensure lift lever is properly mounted.
2. To compensate for blade wear, check blade length and adjust depth before each use.
3. Fill seeder box. Maximum capacity 18.1 kg (40 lb).
4. Set seed rate. See Figure 26.

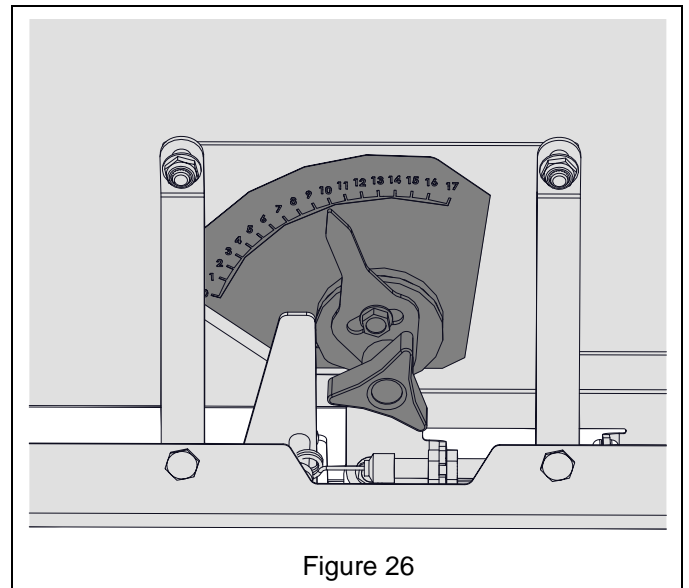


Figure 26



## OPERATION



### **WARNING:** AVOID INJURY.

Read and understand the *Safety* section before proceeding.

Refer to Dethatcher Attachment Operator's Manual for tractor-specific pre-operation information and procedures.

### **OPERATE ATTACHMENT**

1. Set seed feed rate.
2. Ensure open/close hopper control is functioning.
3. Start the engine.
4. Engage operator presence lever.
5. Rotate drive control grip to drive unit.
6. Pull PTO switch to activate blade assembly.
7. Lower attachment.
8. Open seed drop control.
9. Drive forward to split soil and dispense seed.
10. Close seed drop when maneuvering or turning.

### **STOP ATTACHMENT**

1. Close seed drop control.
2. Push PTO switch to stop blade assembly.
3. Push lift lever fully forward to raise attachment.
4. Stop engine.

## REMOVE/REPLACE BLADES

### **Split Seeder Blades**

Replace blades when worn down by 1.9 cm (3/4") or the overall length of the blade at its longest point is at about 22.9 cm (9.0").

Refer to the Seeder Hopper Parts Catalog for blade replacement.

## Remove Blades

1. Remove blade assembly. See *REMOVAL* on page 1.
2. Remove and retain nyloc hex nut. See Figure 27.

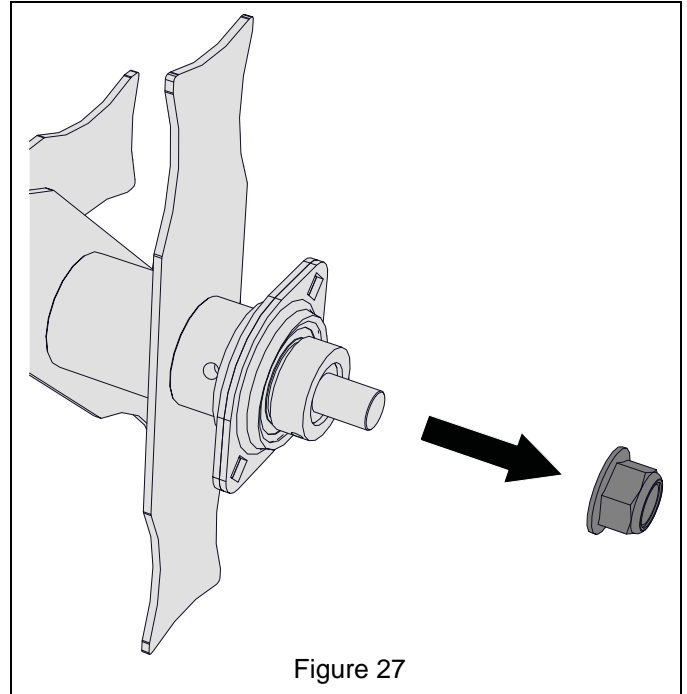


Figure 27

3. Remove and retain two flange-bearing retainers and one bearing-collar. See Figure 28.

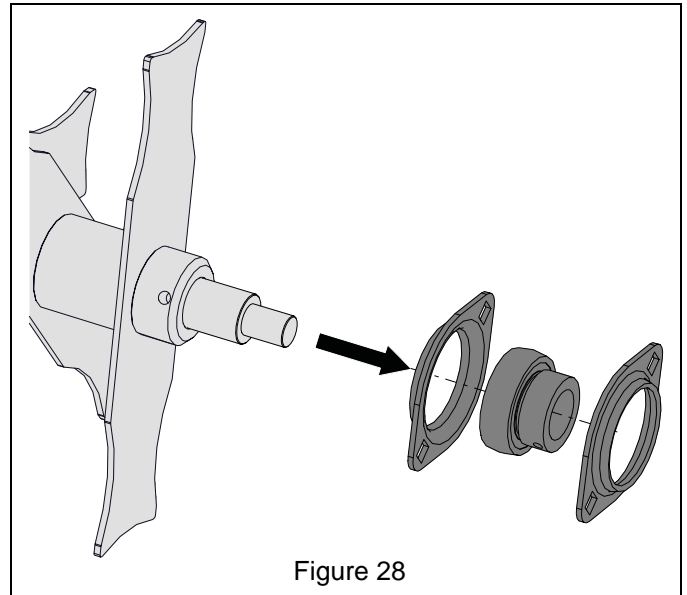
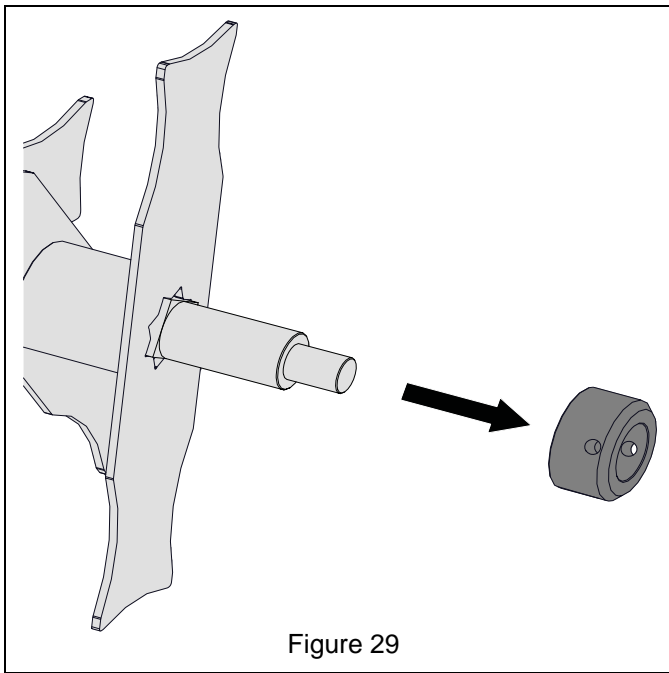
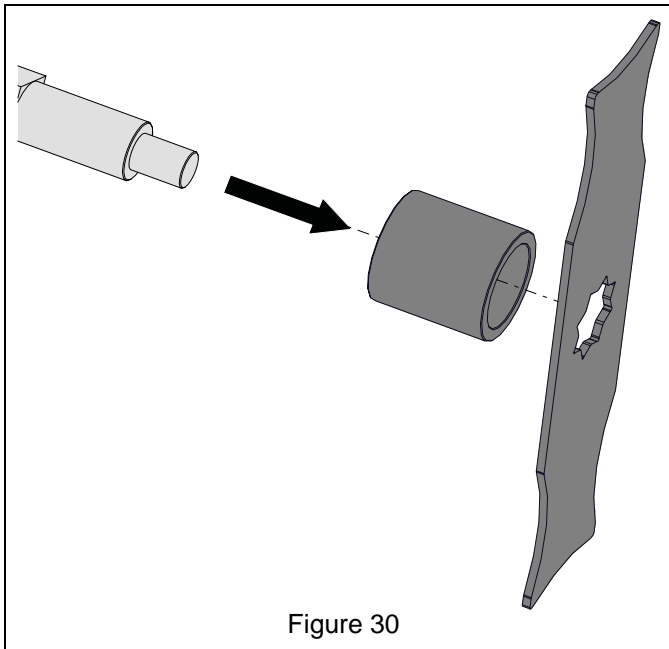


Figure 28

4. Remove and retain collar. See Figure 29.

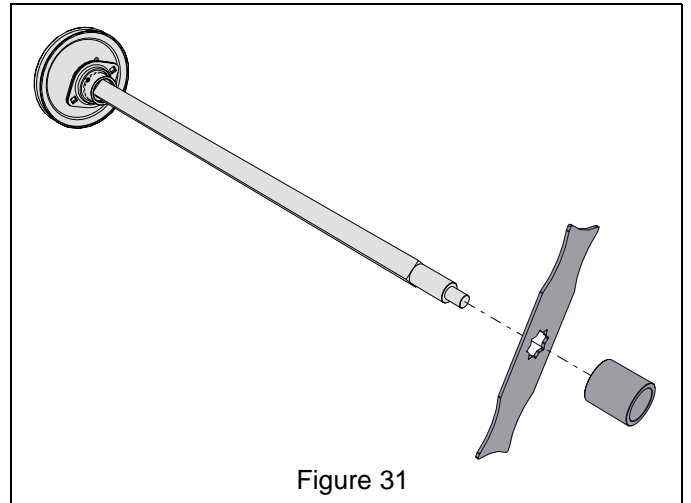


5. Remove blade and spacer. Repeat until all blades and spacers are removed. See Figure 30.

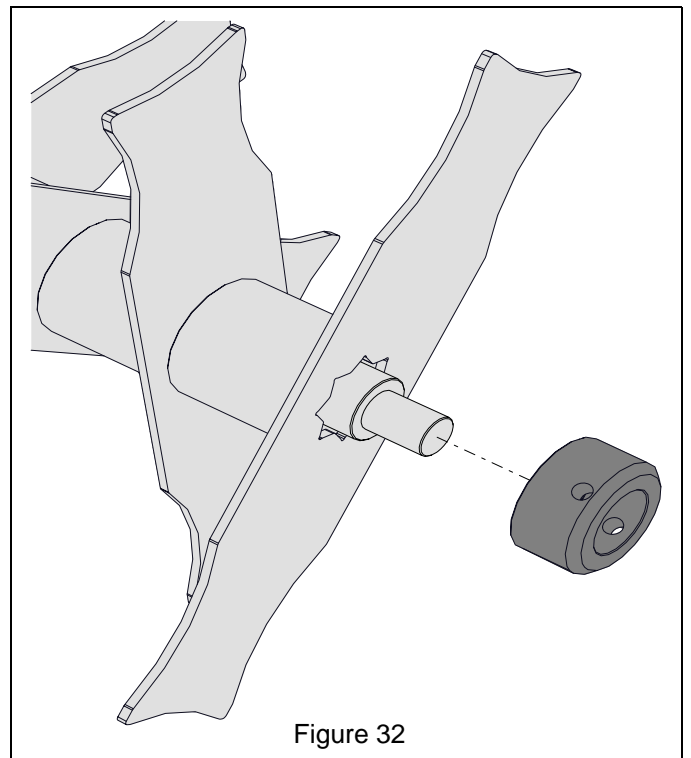


### Install Blades

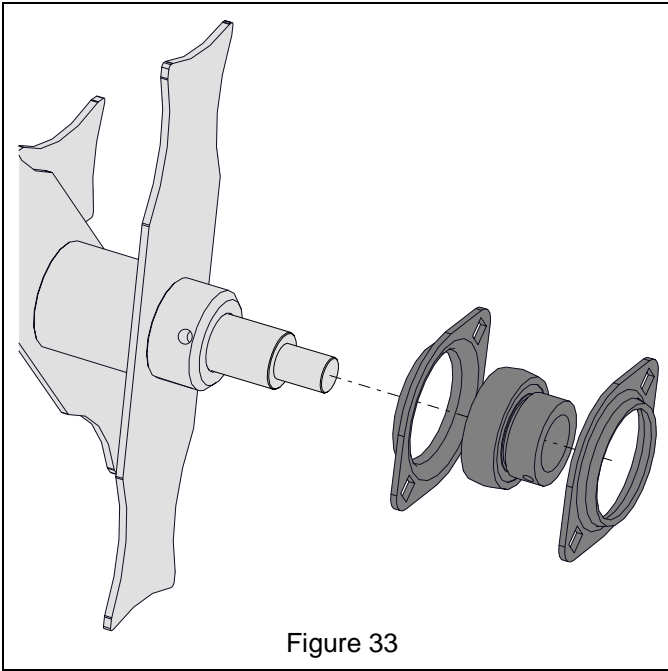
1. Install one blade and one spacer into shaft.
2. Install next blade and spacer 45 degrees from the previous blade. Repeat until all blades and spacers are installed. See Figure 31.



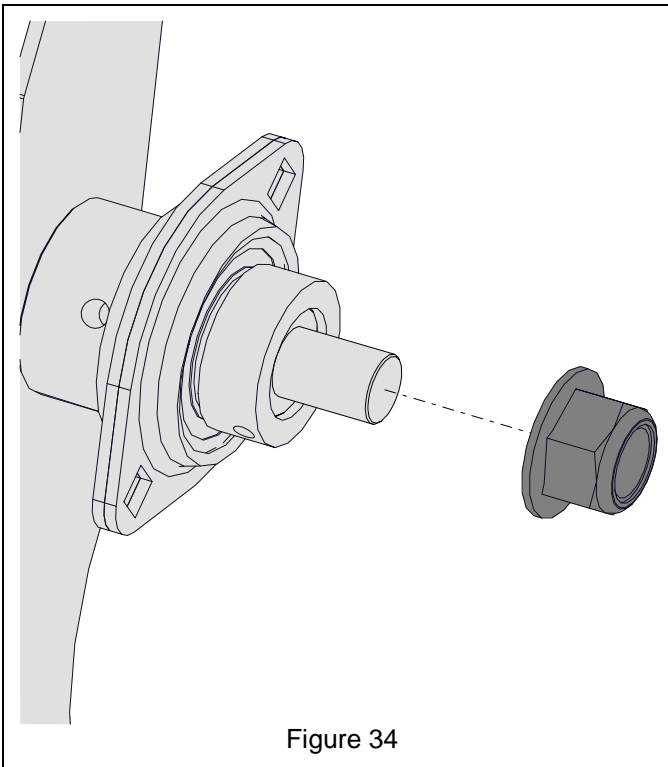
3. Install collar. See Figure 32.



4. Install two flange-bearing retainers and one bearing collar. See Figure 33.



5. Install nyloc hex nut. See Figure 34.



6. Install blade assembly. See *INSTALLATION* on page 4.

## MAINTENANCE

### Maintenance Intervals

Maintenance	Daily before starting	Interval (months/ hours) 1/25
Check seed dispensing area	●	
Check belt wear and tension	●	
Check blade wear and condition		●