

Instruction Sheet

Kit Number: 78591300

POLY SCRAPER KIT



WARNING: FAILURE TO FOLLOW INSTRUCTIONS could result in personal injury and/or damage to unit.
Read, understand, and follow all safety practices in Operator's Manual before beginning.

Package Contents

Check the contents of your kit for the parts listed below. Also see Figure 1.

Item	Description	Qty	Ariens P/N
1.	Poly Scraper	1	09130500
2.	Blade Clamp Bar	1	09130651
3.	5/16-18" Nyloc Locking Flange Nut	5	06500809
4.	5/16-18 x 1 1/2" Round Head Square Neck Bolt	5	06200233

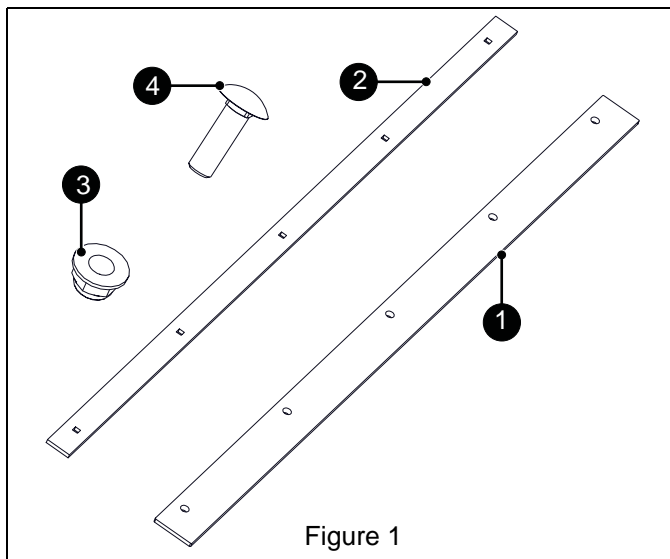


Figure 1

Procedure

1. Position supports under each skid shoe so steel scraper is off the ground.
2. Remove hardware retaining steel scraper to blade and remove scraper. Discard hardware. See Figure 2.

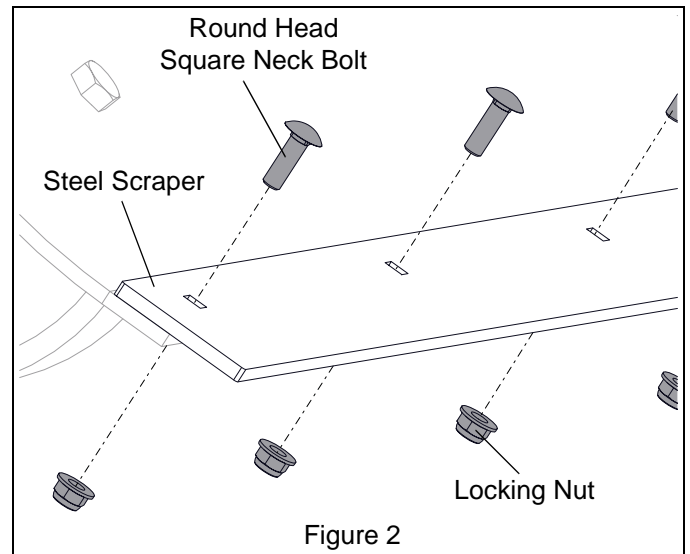


Figure 2

3. Position blade clamp bar (item 2) over poly scraper (item 1) and align with holes in blade. Secure with 5/16 x 1 1/2" round head square neck bolts (item 4) and 5/16" locking nuts (item 3). Tighten hardware. See Figure 3.

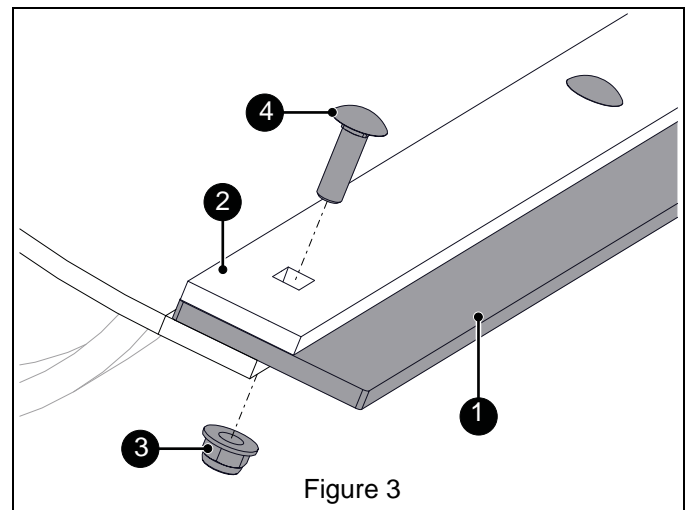


Figure 3

4. Remove supports from under skid shoes.