

Instruction Sheet

Kit Number: 78591200

HEADLIGHT KIT



WARNING: FAILURE TO FOLLOW INSTRUCTIONS could result in personal injury and/or damage to unit.
Read, understand, and follow all safety practices in Operator's Manual before beginning.

Package Contents

Check the contents of your kit for the parts listed below. Also see Figure 1.

| Item | Description | Qty | Ariens P/N |
|------|--|-----|------------|
| 1 | Light Harness | 1 | 09116500 |
| 2 | 6-LED Light Assembly | 1 | 09131500 |
| 3 | Headlight Bracket | 1 | 04967651 |
| 4 | ON/OFF Rocker Switch | 1 | 09117600 |
| 5 | M8-1.25 x 25 Grade 8.8 Hex Bolt | 2 | 05901630 |
| 6 | M8-1.25 Grade 8.8 Locking Nylon Flange Nut | 2 | 06500725 |

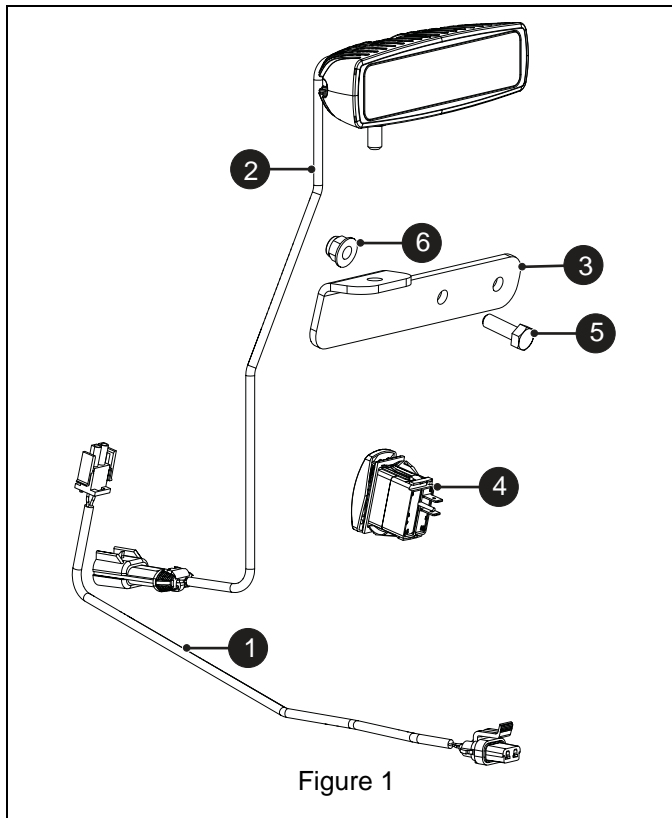


Figure 1

INSTALLATION

1. Stop engine, remove key, and engage parking brake.
2. Wait for all moving parts to stop and for hot parts to cool.
3. Disconnect spark plug wire.
4. Mount headlight bracket (item 3) to lift point bracket using two M8-1.25 x 25 hex bolts (item 5) and two M8-1.25 locking nylon flange nuts (item 6). See Figure 2.

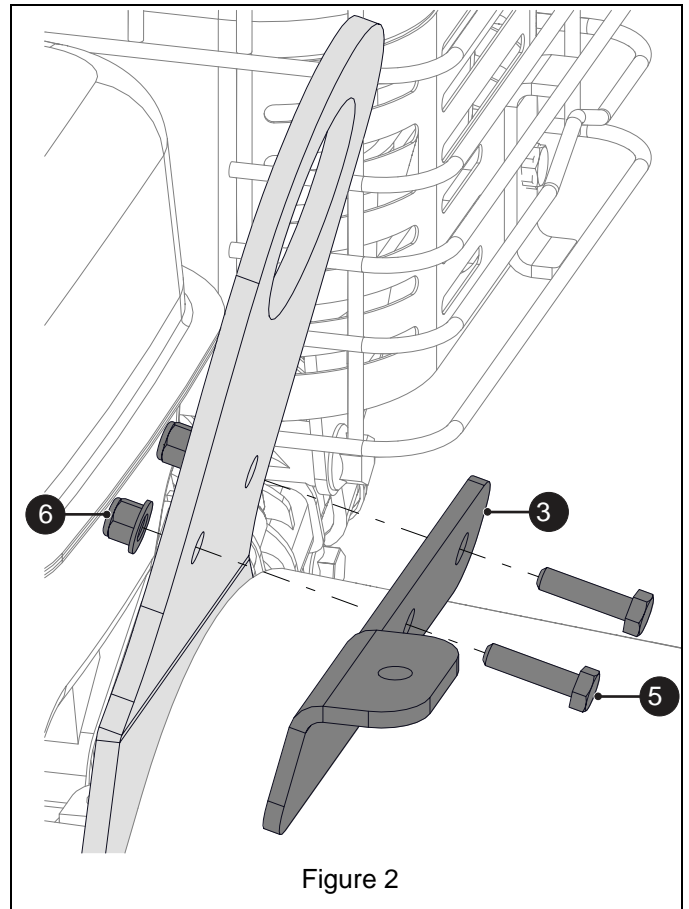
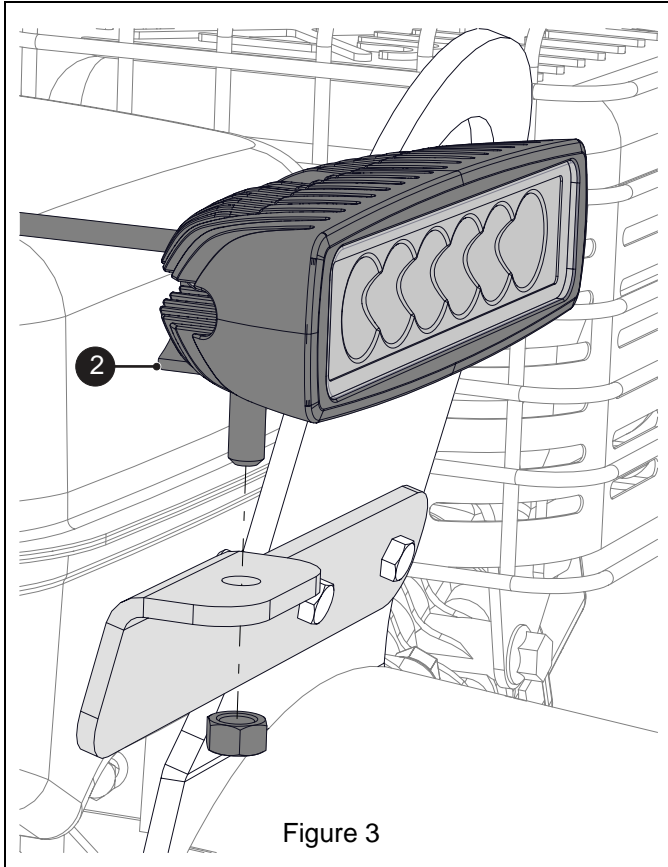
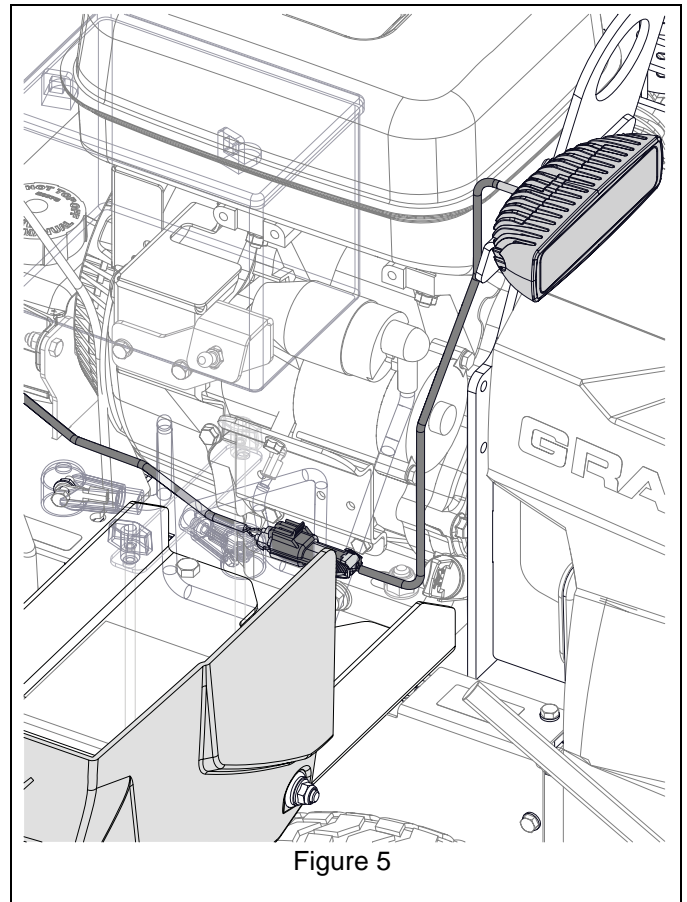


Figure 2

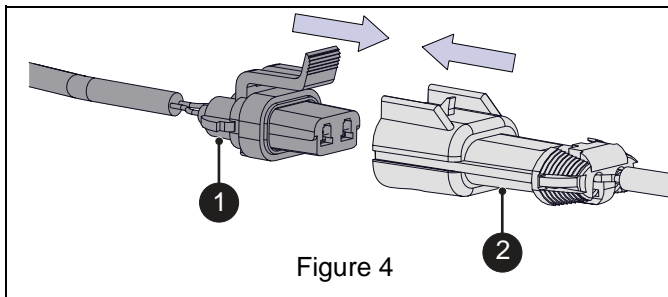
5. Remove hex nut from headlight and install light assembly (item 2) on bracket. Reinstall but do not fully tighten hex nut. See Figure 3.



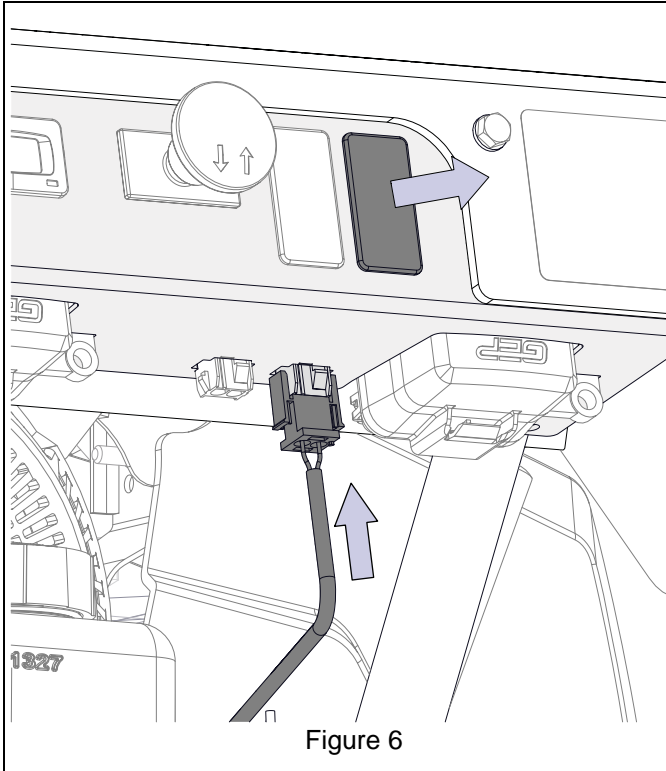
7. Open battery cover and route harness behind battery and back to handlebar. See Figure 5.



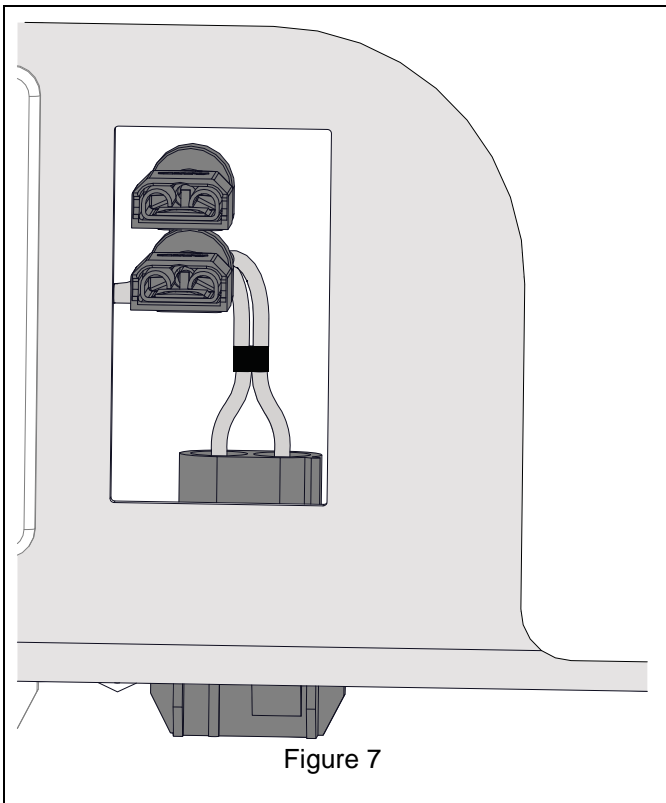
6. Connect harness (item 1) to light fixture lead. See Figure 4.



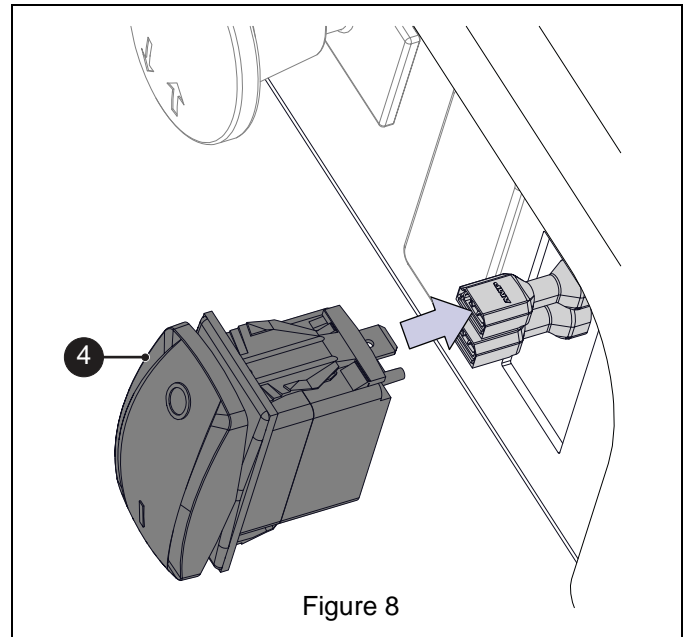
8. Connect harness to outer accessory socket under control panel. Remove right dash plug from control panel. See Figure 6.



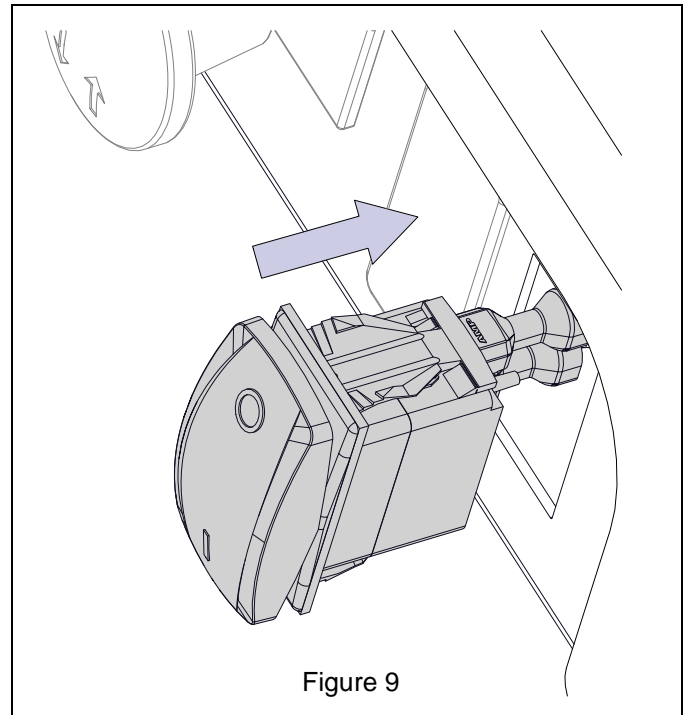
9. Locate the right-side pair of wires that are joined together with a cable tie behind the control panel. See Figure 7.



10. Connect the wires to the rocker switch (item 4). See Figure 8.



11. Install the rocker switch in the control panel by pressing it in until it locks in position. See Figure 9.



12. Aim headlight to desired position and tighten hardware.
13. Reconnect spark plug wire.