

# Instruction Sheet

## Kit Number: 71516400

### DECK BUMPER KIT



**WARNING: FAILURE TO FOLLOW INSTRUCTIONS** could result in personal injury and/or damage to unit.  
Read, understand, and follow all safety practices in Operator's Manual before beginning.

### Package Contents

Check the contents of your kit for the parts listed below  
Also see Figure 1.

Item	Description	Qty	Ariens P/N
1	Deck Bumper	1	09651500
2	1/4"-20 x 3/4" Hex Washer Head Tapping Screw	2	07400131

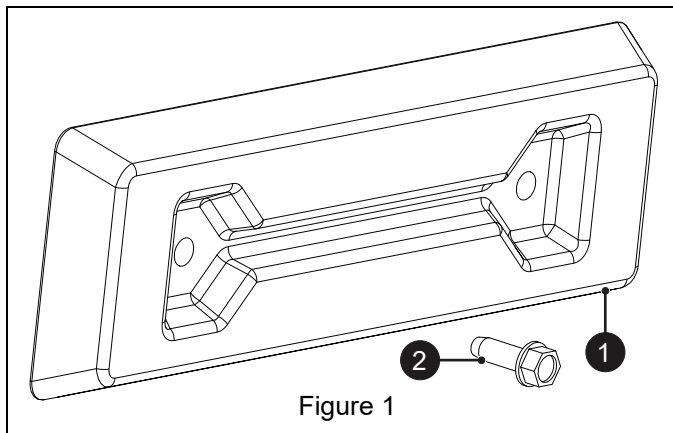


Figure 1

### INSTALLATION

1. Stop unit and remove key.
2. Wait for all moving parts to stop and for hot parts to cool.
3. Engage parking brake.

See Figure 2.

4. Temporarily position deck bumper (item 1) centered vertically and horizontally against deck trim edge immediately behind left anti-scalp wheel.
5. Ensure that bumper is level and mark two drill locations on deck.

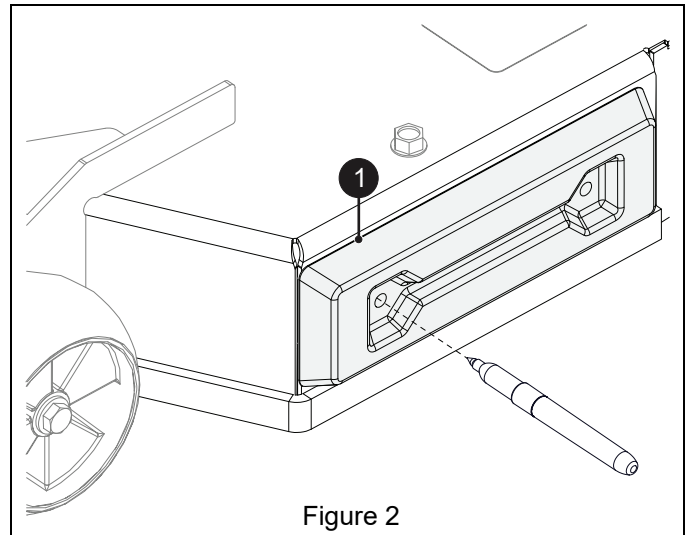


Figure 2

6. Use a center punch to create drill-indexing indents at the marked locations. See Figure 3.

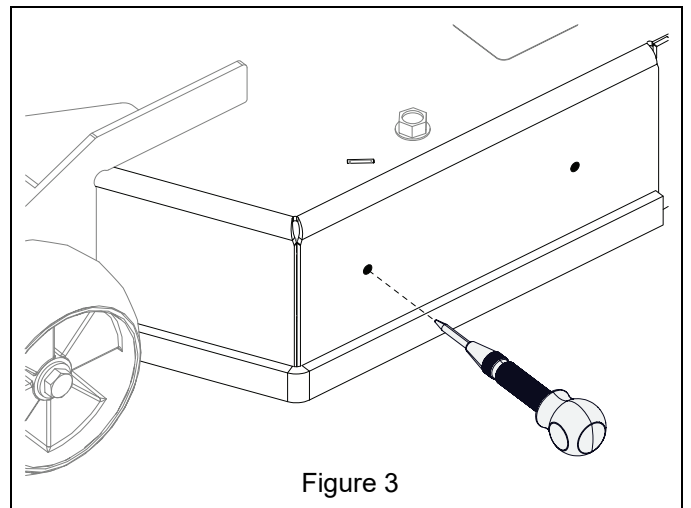
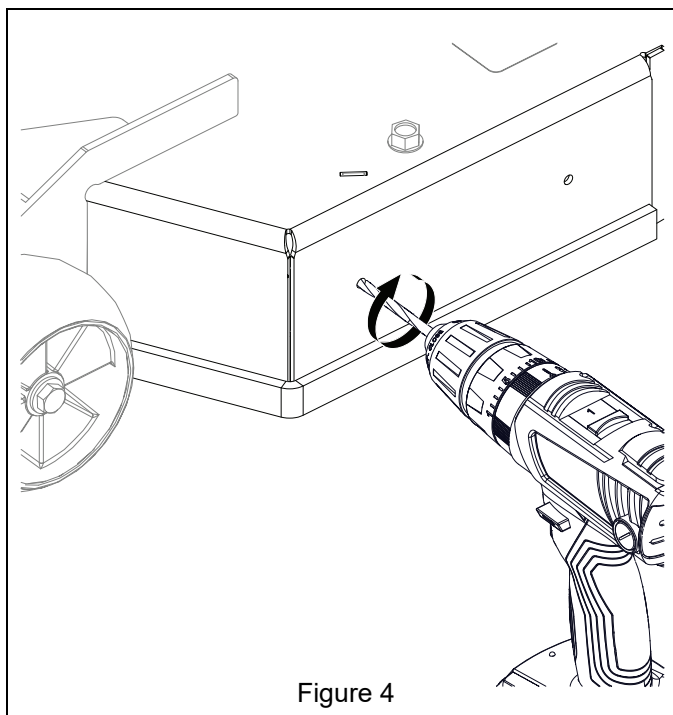


Figure 3

7. Drill two 7/32" (0.218") holes at the center-punched locations. See Figure 4.



8. Install bumper on deck with two 1/4" x 3/4" hex washer head tapping screws (item 2). See Figure 5.

